

SUCTION HOSE COUPLING

SS304, 140 mm, CONVENTIONAL



Suction Hose Couplings are connected to suction hoses using binding (with Copper/GI wire) or clamps, and allow connection of hoses to pumps, strainers, fittings, etc having similar threads. Suction couplings consist of Male and Female threaded parts, and have a serrated tail portion, on which the hose is mounted.

Brief Description : AAAG Suction Hose Male/ Female Couplings, 140 mm size, Conventional Design, made of Stainless Steel (SS304), suitable for use with hard suction hoses. Couplings shall have standard round threads.

1.0 GENERAL DATA

1.1	Make	AAAG
1.2	Size	140 mm
1.3	Type	Threaded (140 mm Round Threads)
1.4	Hose Connection	Shank 140 mm size
1.5	Material of Construction	Stainless Steel, SS304
1.6	Reference	--

2.0 MATERIAL OF CONSTRUCTION

2.1	Female Coupling	SS304, IS:3444 Grade I
2.2	Nut for Female Coupling	SS304, IS:3444 Grade I
2.3	Male Coupling	SS304, IS:3444 Grade I
2.5	Washer	Rubber IS:937 Type A

3.0 TESTING AND QUALITY CONTROL

3.1	Dimensional check	See drawing below
3.2	Hydrostatic Pressure Test	21 kgf/cm ² for 2.5 minutes
3.3	Documentation	Internal inspection report, supplier's certificates, approved laboratory test certificates

4.0 OPERATIONAL/ TECHNICAL DATA

4.1	Working Pressure Range	0 to 7 Kgf/cm ²
4.2	Weight (approx.)	---

5.0 FINISH

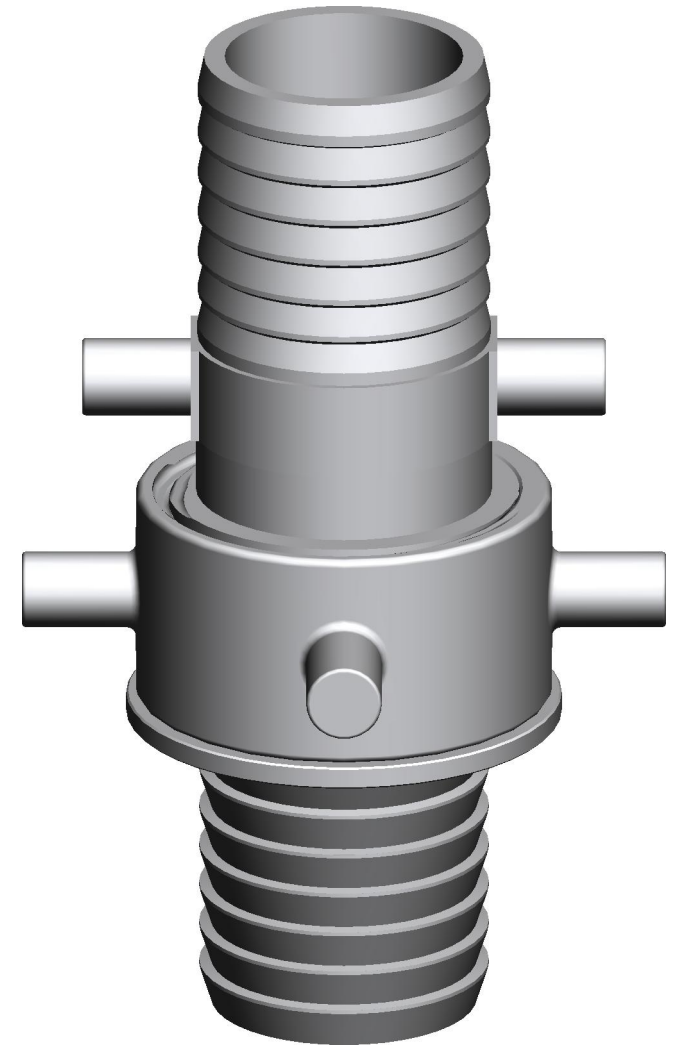
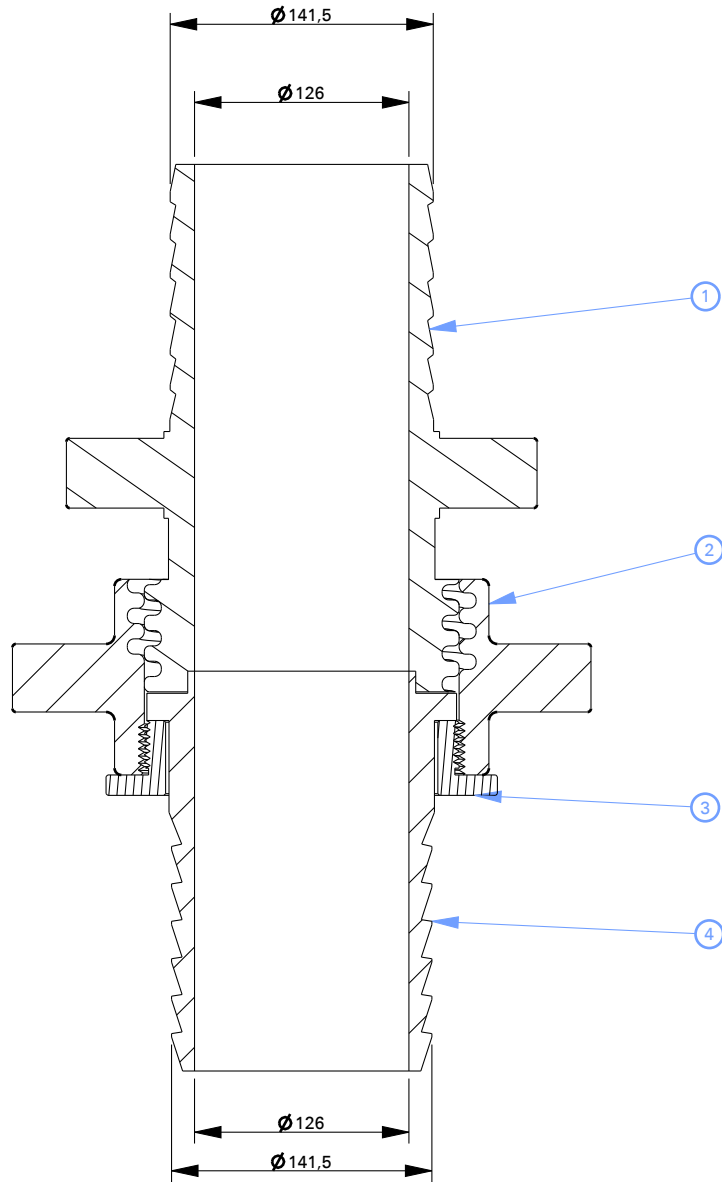
5.1	Coupling	Polished
-----	----------	----------

6.0 APPROVALS & MARKING

6.1	Approvals	--
6.2	Marking	AAAG/ Year of Mfg./SI No

7.0 WARRANTY

7.1	Warranty & Guarantee	12 Months from the date of supply
-----	----------------------	-----------------------------------



1	Female Coupling	S.S 304 (IS: 3444 Gr.1)
2	Nut For Female Coupling	S.S 304 (IS: 3444 Gr.1)
3	Locking Nut	S.S 304 (IS: 3444 Gr.1)
4	Male Coupling	S.S 304 (IS: 3444 Gr.1)

NO	DESCRIPTION	MATERIAL
PART LIST		



Shah Bhogilal Jethalal & Bros.

AHMEDABAD

TITLE :

**Suction Hose Coupling, Round Thread
(140 mm), SS 304, Conventional Design**

SCALE

N.T.S

DRAWING NO:

S141-140CL

SHEET

1 OF 1

REV.

0