

DELIVERY HOSE COUPLING

STORZ TYPE, 63 mm, GUNMETAL



Delivery Hose Couplings provide the means to connect Fire Hoses to another and to hydrant valves, branches, fittings and adaptors. Storz couplings are hermaphrodite couplings (i.e. both couplings similar in design), and have a serrated tail portion, on which the hose is mounted and bound with Copper/ G.I. wire.

Brief Description: AAAG Storz type Delivery Hose couplings, 63 mm size, made of Gunmetal suitable for use with 63 mm Fire fighting delivery Hose.

1.0 GENERAL DATA

1.1	Make	AAAG
1.2	Size	63 mm
1.3	Type	Storz
1.4	Hose Connection	Shank 63 mm size
1.5	Reference Standard	--

2.0 MATERIAL OF CONSTRUCTION

2.1	Shank	Gunmetal, IS:318 LTB-2
2.2	Swivel for Coupling	Gunmetal, IS:318 LTB-2
2.3	Washers	Rubber

3.0 TESTING AND QUALITY CONTROL

3.1	Dimensional check	Dimensions as per SBJ Drawing (See Drawing Below)
3.2	Hydrostatic Test Pressure	21 kgf/cm ² for 2.5 minutes
3.3	Documentation	Internal inspection report, supplier's certificates, approved laboratory test certificates

4.0 OPERATIONAL/ TECHNICAL DATA

4.1	Working pressure range	Up to 14 Kgf/cm ²
4.2	Weight (approx.)	3.5 Kgs.

5.0 FINISH

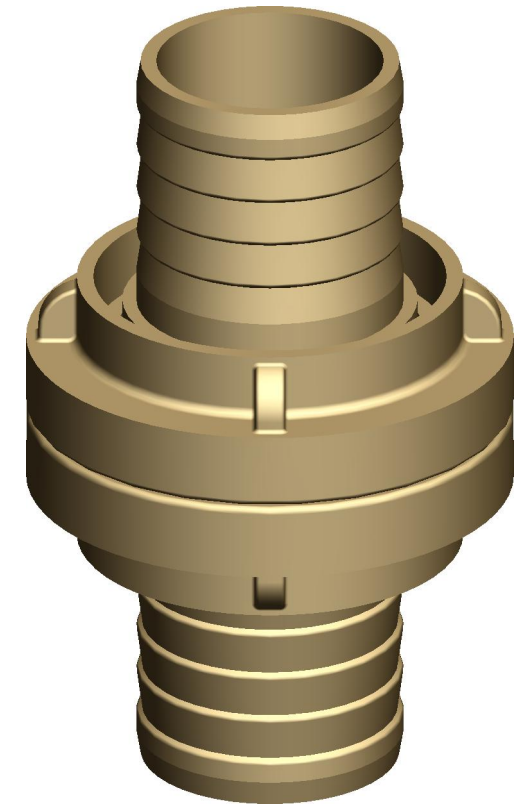
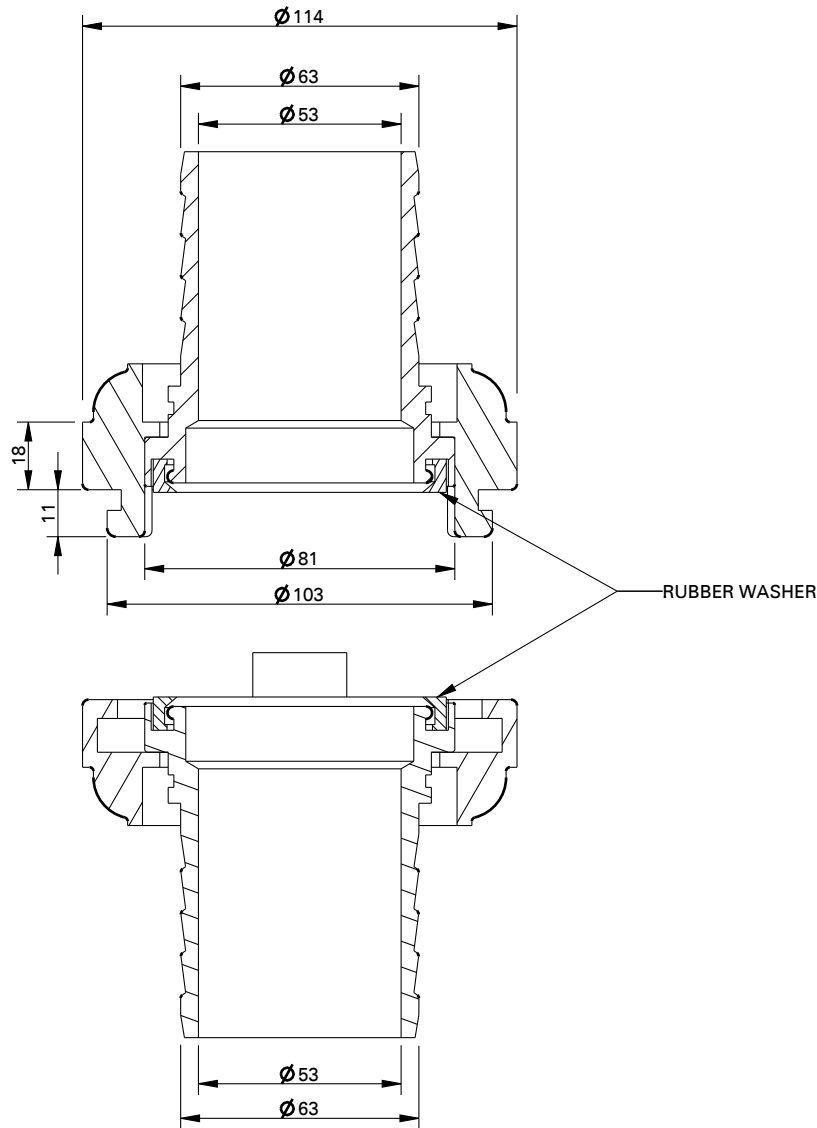
5.1	Male Coupling	Natural Finish/Polished
5.2	Female Coupling	Natural Finish/Polished

6.0 APPROVALS & MARKING

6.1	Approvals	--
6.2	Marking on Coupling	AAAG / Size/ Year of Manufacture

7.0 WARRANTY

7.1	Warranty & Guarantee	12 Months from the date of supply
-----	----------------------	-----------------------------------



NOTES:

TEST PREESURE : 21 KGF/CM2



Shah Bhogilal Jethalal & Bros.

AHMEDABAD

TITLE :

Delivery Hose Coupling, Storz Type
(63 mm), Gunmetal

SCALE	DRAWING NO:	SHEET	REV.
N.T.S	G135-63BJ	1 OF 1	0