

# DELIVERY HOSE COUPLING

## SCREWED JOINT, 63 mm, GUNMETAL, LUG TYPE



Delivery Hose Couplings provide the means to connect Fire Hoses to one another and to hydrant valves, branches, fittings and adaptors. Screwed/ Threaded couplings are hermaphrodite couplings (i.e. both couplings similar in design), and have a serrated tail portion, on which the hose is mounted and bound with Copper/ G.I. wire.

**Brief Description:** AAAG Screwed joint Male/ Female couplings, 63 mm size, made of Gunmetal suitable for use with 63 mm Fire fighting delivery Hose. Couplings shall have threads as per NH standards. Lugs provided for easy tightening.

### 1.0 GENERAL DATA

1.1	Make	AAAG
1.2	Size	63 mm
1.3	Type	Screwed Joint, Male/Female Coupling
1.4	Hose Connection	Shank 63 mm size
1.5	Reference Standard	--

### 2.0 MATERIAL OF CONSTRUCTION

2.1	Female Coupling	Gunmetal, IS: 318 LTB-2
2.2	Male Coupling	Gunmetal, IS: 318 LTB-2
2.3	Washer	Rubber

### 3.0 TESTING AND QUALITY CONTROL

3.1	Dimensional check	Dimensions as per IS: 903(See Drawing Below)
3.2	Hydrostatic Test Pressure	21 kgf/cm <sup>2</sup> for 2.5 minutes (Male & Female Coupling)
3.3	Documentation	Internal inspection report, supplier's certificates, approved laboratory test certificates

### 4.0 OPERATIONAL/ TECHNICAL DATA

4.1	Working pressure range	Up to 14 Kg/cm <sup>2</sup>
4.2	Weight (approx.)	3.0 Kgs.

### 5.0 FINISH

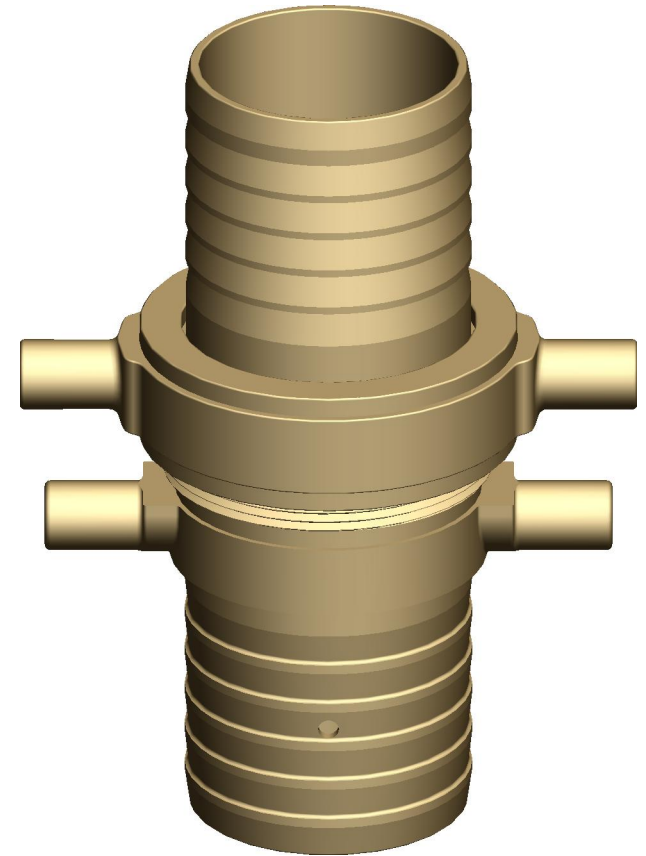
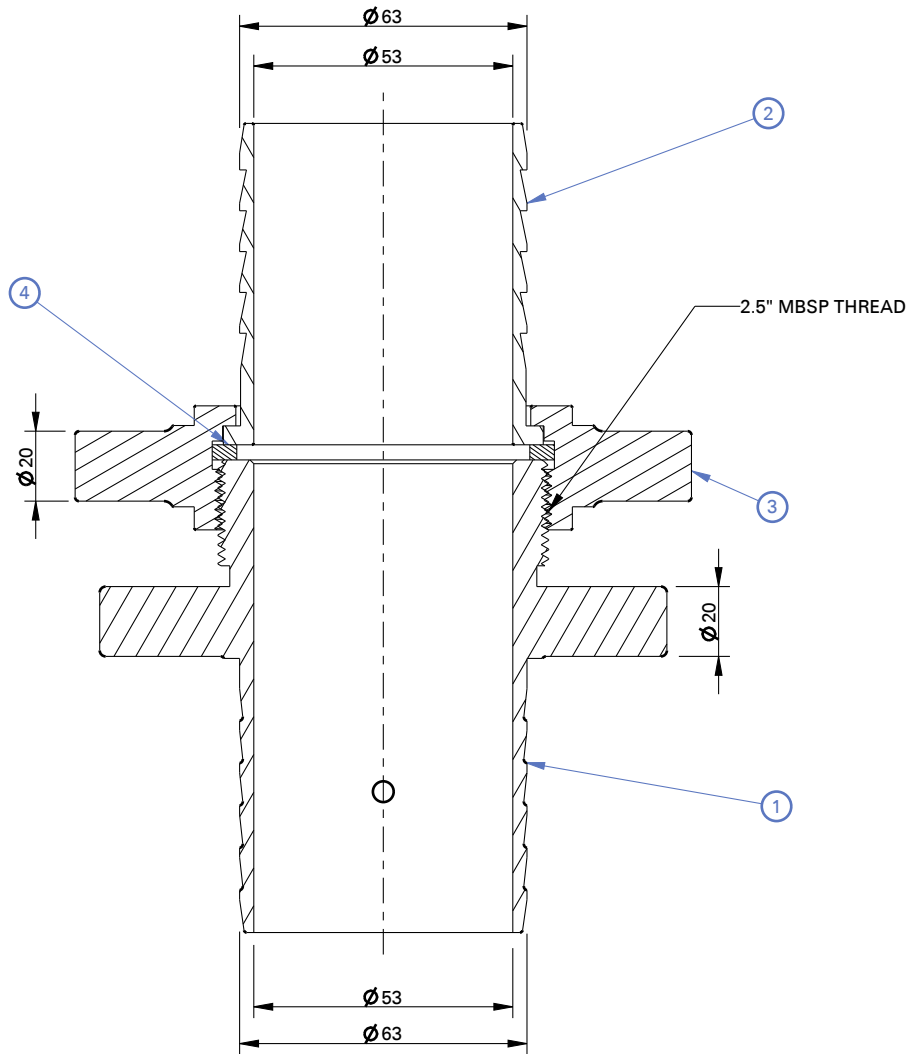
5.1	Male Coupling	Natural Finish/Polished
5.2	Female Coupling	Natural Finish/Polished

### 6.0 APPROVALS & MARKING

6.1	Approvals	--
6.2	Marking on Coupling	AAAG / Size/ Year of Manufacture.

### 7.0 WARRANTY

7.1	Warranty & Guarantee	12 Months from the date of supply
-----	----------------------	-----------------------------------



1	MALE COUPLING	G.M IS:318 LTB-2
2	FEMALE COUPLING	G.M IS:318 LTB-2
3	NUT FOR F. COUPLING	G.M IS:318 LTB-2
4	WASHER	RUBBER IS:937
NO.	DESCRIPTION	MATERIAL
PART LIST		



**Shah Bhogilal Jethalal & Bros.**

AHMEDABAD

**TITLE :**

Delivery Hose Coupling, Screwed Joint  
(63 mm), Gunmetal, Lug Type

**SCALE**

N.T.S

**DRAWING NO:**

G132-63BJ

**SHEET**

1 OF 1

**REV.**

0