

DELIVERY HOSE COUPLING

INSTANTANEOUS TYPE, 100 mm, GUNMETAL, CONVENTIONAL



Delivery Hose Couplings provide the means to connect Fire Hoses to another and to hydrant valves, branches, fittings and adaptors. Instantaneous couplings consist of Male and Female parts, and have a serrated tail portion, on which the hose is mounted and bound with Copper/ G.I. wire.

Brief Description: AAAG Instantaneous type Male/Female Hose couplings, 100 mm size, Conventional design, made of Gunmetal, suitable for use with 100 mm Fire fighting delivery Hose.

1.0 GENERAL DATA

1.1	Make	AAAG
1.2	Size	100 mm
1.3	Type	Instantaneous Male/Female Coupling
1.4	Hose Connection	Shank 100mm size
1.5	Reference Standard	--

2.0 MATERIAL OF CONSTRUCTION

2.1	Female Coupling	Gunmetal, IS:318 LTB-2
2.2	Male Coupling	Gunmetal, IS:318 LTB-2
2.3	Lugs	Gunmetal, IS:318 LTB-2
2.4	Spring	Phosphor Bronze Wire IS:7608
2.5	Washer	Rubber IS: 937 Type A

3.0 TESTING AND QUALITY CONTROL

3.1	Dimensional check	Dimensions as per SBJ Drawing (See Drawing Below)
3.2	Hydrostatic Test Pressure	21 kgf/cm ² for 2.5 minutes (Male & Female Coupling)
3.3	Documentation	Internal inspection report, supplier's certificates, approved laboratory test certificates

4.0 OPERATIONAL/ TECHNICAL DATA

4.1	Working pressure range	5 to 14 Kg/cm ²
4.2	Weight (approx.)	3.0 Kgs.

5.0 FINISH

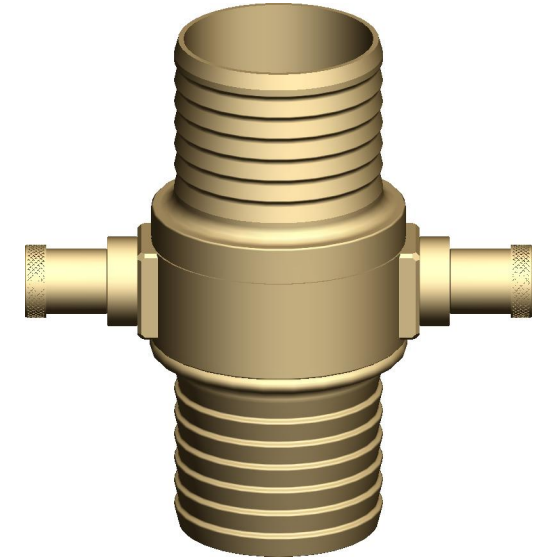
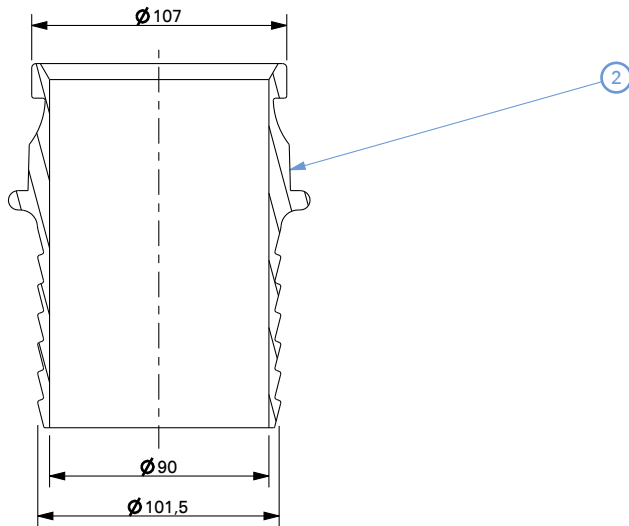
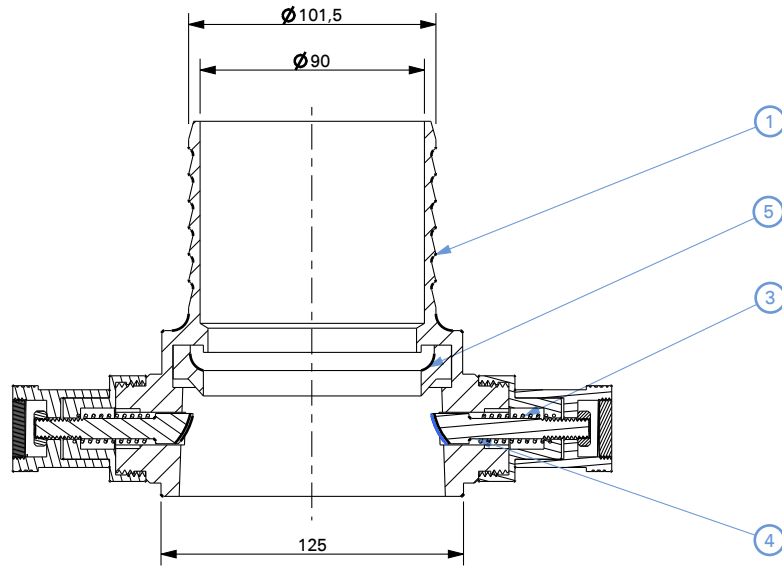
5.1	Male Coupling	Natural Finish/Polished
5.2	Female Coupling	Natural Finish/Polished

6.0 APPROVALS & MARKING

6.1	Approvals	--
6.2	Marking on Coupling	AAAG / Size/ Year of Manufacture

7.0 WARRANTY

7.1	Warranty & Guarantee	12 Months from the date of supply
-----	----------------------	-----------------------------------



HYDRAULIC TEST :
 FEMALE COUPLING : 21 kgf/cm².
 MALE COUPLING : 21 kgf/cm².

1	FEMALE COUPLING	G.M IS:318 LTB-2
2	MALE COUPLING	G.M IS:318 LTB-2
3	SPRING	IS:7608
4	CAM TOOTH	G.M IS:318 LTB-2
5	WASHER	RUBBER IS:937
NO	DESCRIPTION	MATERIAL
PART LIST		



Shah Bhogilal Jethalal & Bros.

AHMEDABAD

TITLE : Delivery Hose Coupling, Instantaneous Type (100 mm), Gunmetal, Conventional Design

SCALE	DRAWING NO:	SHEET	REV.
N.T.S	G130-100CL	1 OF 1	0