

# DELIVERY HOSE COUPLING

## INSTANTANEOUS TYPE, 63mm, SS316, CONVENTIONAL



Delivery Hose Couplings provide the means to connect Fire Hoses to another and to hydrant valves, branches, fittings and adaptors. Instantaneous couplings consist of Male and Female parts, and have a serrated tail portion, on which the hose is mounted and bound with Copper/ G.I. wire.

**Brief Description:** AAAG Instantaneous type Male/Female Hose couplings, 63 mm size, Conventional Design, made of Stainless Steel (SS316), suitable for use with 63 mm Fire fighting delivery Hose.

### 1.0 GENERAL DATA

1.1	Make	AAAG
1.2	Size	63 mm
1.3	Type	Instantaneous Male/Female Coupling
1.4	Hose Connection	Shank 63mm size
1.5	Reference Standard	--

### 2.0 MATERIAL OF CONSTRUCTION

2.1	Female Coupling	SS316, IS:3444, Gr. IV
2.2	Male Coupling	SS316, IS:3444 Gr. IV
2.3	Lugs	SS316, IS:3444 Gr. IV
2.4	Spring	Stainless Steel Wire IS: 6528
2.5	Washer	Rubber IS: 937 Type A

### 3.0 TESTING AND QUALITY CONTROL

3.1	Dimensional check	Dimensions as per IS: 903
3.2	Hydrostatic Test Pressure	21 kgf/cm <sup>2</sup> (Male & Female Coupling)
3.3	Documentation	Internal inspection report, supplier's certificates, approved laboratory test certificates

### 4.0 OPERATIONAL/ TECHNICAL DATA

4.1	Working pressure range	5 to 14 Kgf/cm <sup>2</sup>
4.2	Weight (approx.)	4.0 Kgs.

### 5.0 FINISH

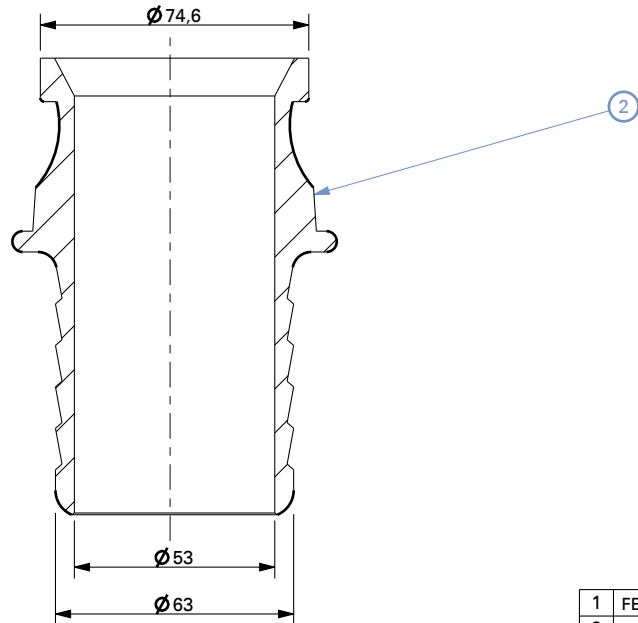
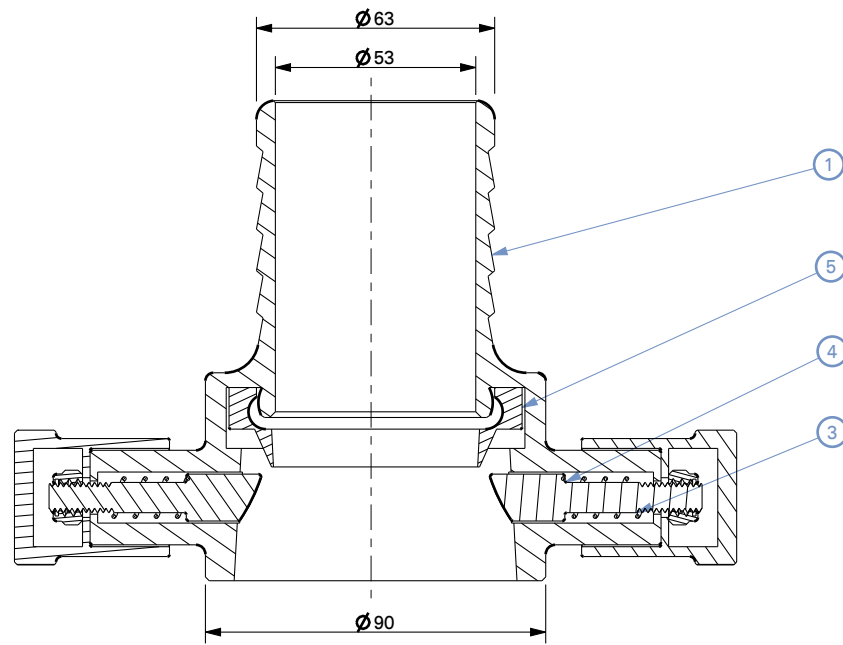
5.1	Male Coupling	Natural Finish/Polished
5.2	Female Coupling	Natural Finish/Polished

### 6.0 APPROVALS & MARKING

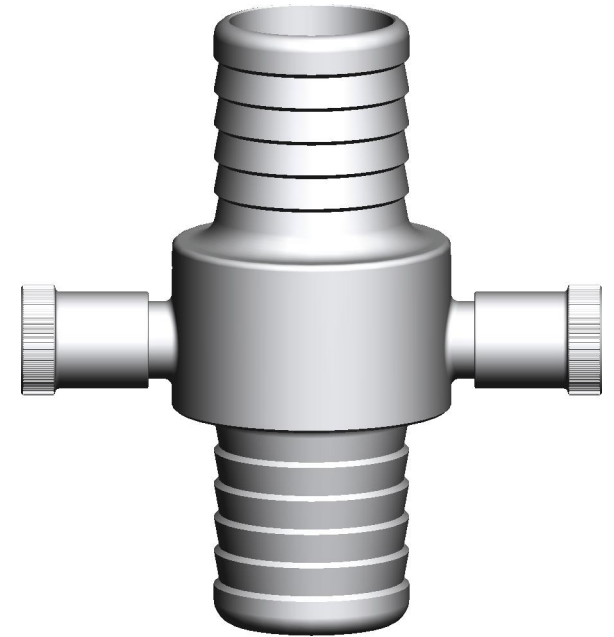
6.1	Approvals	--
6.2	Marking on Hydrant valve	AAAG / Size/ Year of Manufacture/ Sl. No

### 7.0 WARRANTY

7.1	Warranty & Guarantee	12 Months from the date of supply
-----	----------------------	-----------------------------------



1	FEMALE COUPLING	SS 316 (IS:3444 Gr.4)
2	MALE COUPLING	SS 316 (IS:3444 Gr.4)
3	SPRING	IS:6528
4	CAM TOOTH	SS 316 (IS:3444 Gr.4)
5	WASHER	RUBBER IS:937
<b>NO</b>	<b>DESCRIPTION</b>	<b>MATERIAL</b>
<b>PART LIST</b>		



**NOTE**

**HYDRAULIC TEST :**

FEMALE COUPLING : 21 kgf/cm2.

MALE COUPLING : 21 kgf/cm2.



**Shah Bhogilal Jethalal & Bros.**

AHMEDABAD

**TITLE :**

Delivery Hose Coupling, Instantaneous Type  
(63 mm), SS 316, Conventional Design

SCALE	DRAWING NO:	SHEET	REV.
N.T.S	SM130-63CL	1 OF 1	0