

DELIVERY HOSE COUPLING

INSTANTANEOUS TYPE, 63mm, SS 304, AS PER IS:903



Delivery Hose Couplings provide the means to connect Fire Hoses to another and to hydrant valves, branches, fittings and adaptors. Instantaneous couplings consist of Male and Female parts, and have a serrated tail portion, on which the hose is mounted and bound with Copper/ G.I. wire.

Brief Description: AAAG Instantaneous type Male/Female Hose couplings, 63 mm size, as per IS:903, made of Stainless Steel (SS304), suitable for use with 63 mm Fire fighting delivery Hose.

1.0 GENERAL DATA

1.1	Make	AAAG
1.2	Size	63 mm
1.3	Type	Instantaneous Male/Female Coupling
1.4	Hose Connection	Shank 63mm size
1.5	Reference Standard	IS:903

2.0 MATERIAL OF CONSTRUCTION

2.1	Female Coupling	SS304, IS:3444, Gr. I
2.2	Male Coupling	SS304, IS:3444 Gr. I
2.3	Lugs	SS304, IS:3444 Gr. I
2.4	Spring	Stainless Steel Wire IS: 6528
2.5	Washer	Rubber IS: 937 Type A

3.0 TESTING AND QUALITY CONTROL

3.1	Dimensional check	Dimensions as per IS: 903
3.2	Hydrostatic Test Pressure	21 kgf/cm ² for 2.5 minutes (Male & Female Coupling)
3.3	Documentation	Internal inspection report, supplier's certificates, approved laboratory test certificates

4.0 OPERATIONAL/ TECHNICAL DATA

4.1	Working pressure range	5 to 14 Kgf/cm ²
4.2	Weight (approx.)	4.0 Kgs.

5.0 FINISH

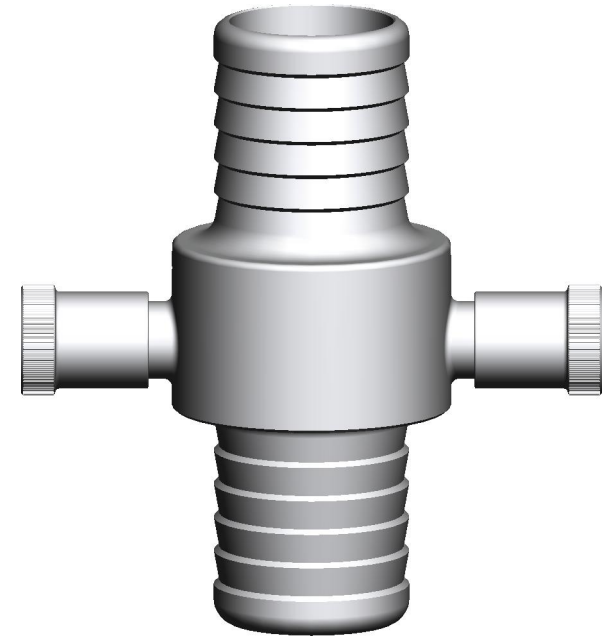
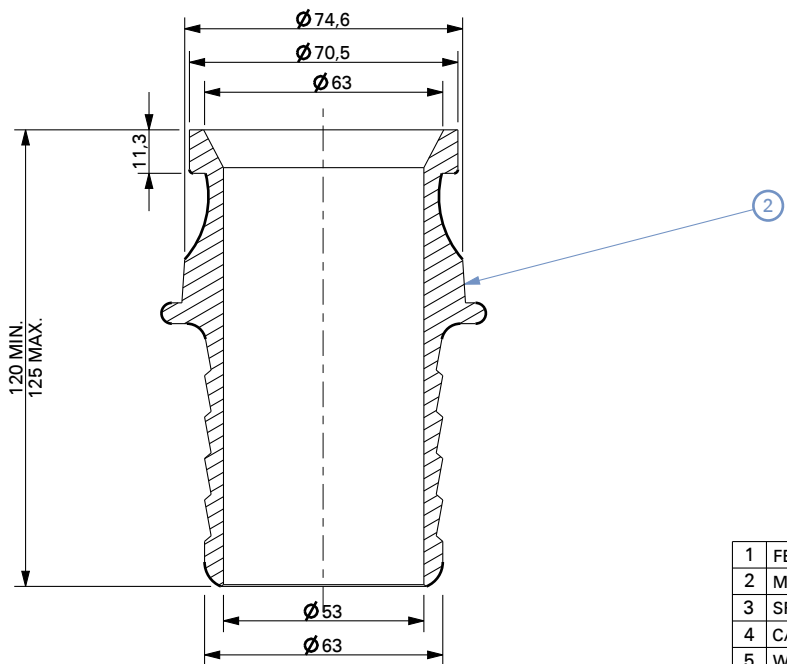
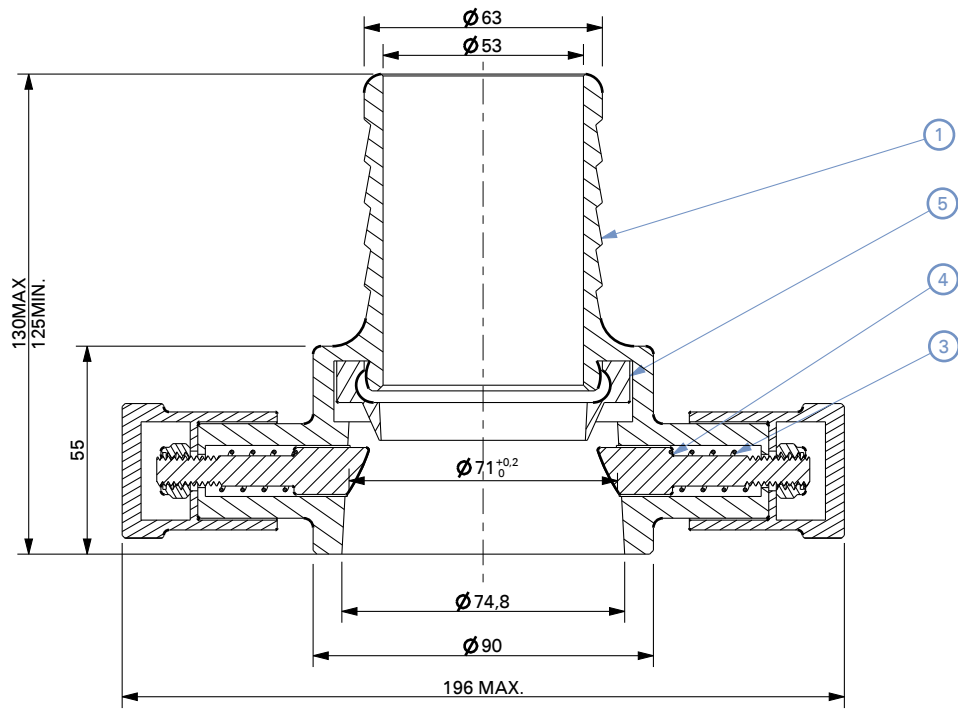
5.1	Male Coupling	Natural Finish/Polished
5.2	Female Coupling	Natural Finish/Polished

6.0 APPROVALS & MARKING

6.1	Approvals	--
6.2	Marking on Coupling	AAAG / Size/ Year of Manufacture/ Sl. No

7.0 WARRANTY

7.1	Warranty & Guarantee	12 Months from the date of supply
-----	----------------------	-----------------------------------



NOTE

HYDRAULIC TEST :

FEMALE COUPLING : 21 kgf/cm².

MALE COUPLING : 21 kgf/cm².

1	FEMALE COUPLING	SS 304 (IS:3444 Gr.1)
2	MALE COUPLING	SS 304 (IS:3444 Gr.1)
3	SPRING	IS:6528
4	CAM TOOTH	SS 304 (IS:3444 Gr.1)
5	WASHER	RUBBER IS:937
NO.	DESCRIPTION	MATERIAL

PART LIST



Shah Bhogilal Jethalal & Bros.

AHMEDABAD

TITLE :

Delivery Hose Coupling, Instantaneous Type
(63 mm), SS 304, As Per IS: 903

SCALE	DRAWING NO:	SHEET	REV.
N.T.S	S130-63AS	1 OF 1	0