

# OSCILLATING MONITOR

SS316, 500-1000 GPM



Oscillating Monitors are suitable for application of water/ foam over large hazard areas. Using a small quantity of the discharge water for operation of the oscillating mechanism, the monitor is ideal for locations where electricity/ other power sources are not available or where unmanned operation is preferred in view of severe fire hazards.

**Brief Description :** AAAG Oscillating monitor, nominal waterway size 75 NB, flow capacity 1800-3800 lpm at 7 kg/cm<sup>2</sup> inlet pressure. Monitor shall be constructed of Stainless Steel (SS316) with swivel joints (manually operated vertical swivel joint and oscillating horizontal swivel joint), and fitted with specified nozzle. Oscillating arc adjustable at 30°, 50°, 70° & 100°.

## 1.0 GENERAL DATA

1.1	Make	AAAG
1.2	Model	Oscillating Monitor OSM 100
1.3	Inlet	Flanged - 100 NB IS:1538/ ANSI B16.5 150#
1.4	Outlet	3" BSP Threaded
1.5	Material of Construction	Stainless Steel (SS316)
1.6	Reference	--

## 2.0 MATERIAL OF CONSTRUCTION

2.1	Body	SS316
2.2	Swivel joints	Gunmetal IS:318 LTB 2
2.3	Worm Shaft	SS316
2.4	Pelton wheel	SS316
2.5	Gear assembly	Aluminium
2.6	Nozzle	SS316

## 3.0 TESTING AND QUALITY CONTROL

3.1	Dimensional check	See drawing below
3.2	Hydrostatic Pressure Test	23 kgf/cm <sup>2</sup> for 2.5 minutes (Monitor only)
3.3	Performance Requirements	<u>Flow test at approx. 35°, in still wind conditions</u> Flow: 3800 lpm at 7 kg/cm <sup>2</sup> , Range 65 Mtrs (water) & 55 Mtrs (foam) when fitted with AAAG Super Stream nozzle. Oscillating angle adjustable at 30°, 50°, 70° & 100°
3.4	Documentation	Internal inspection report, supplier's certificates, approved laboratory test certificates

## 4.0 OPERATIONAL/ TECHNICAL DATA

4.1	Working pressure	5 to 12 Kg/cm <sup>2</sup>
4.2	Manouverability	+90°/ -30° in vertical plane, 300° in horizontal plane, Oscillation arc at 30°, 50°, 70° & 100°
4.3	Weight (approx.)	---

## 5.0 FINISH

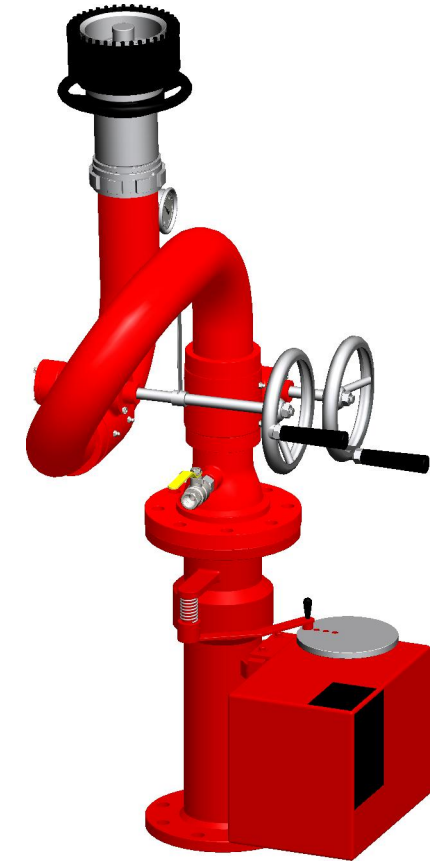
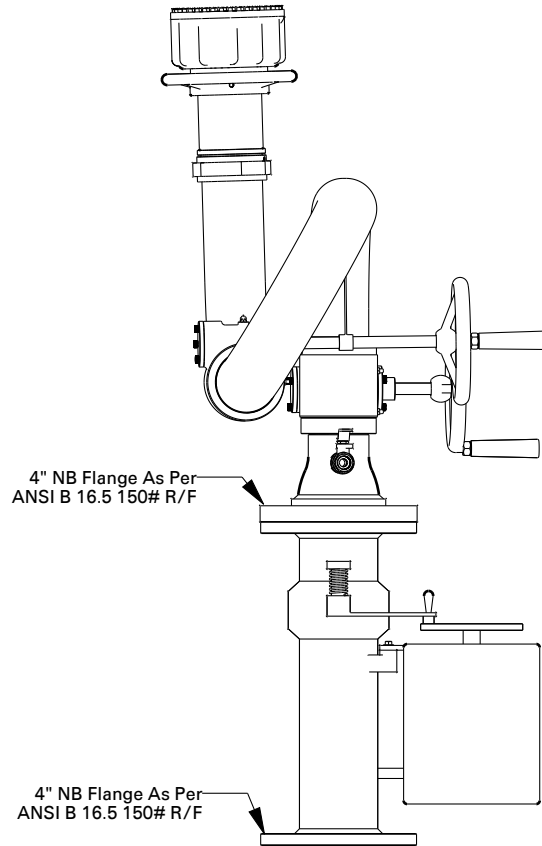
5.1	Body	Painted - Fire Red Color
5.2	Nozzle	Natural finish

## 6.0 APPROVALS & MARKING

6.1	Approvals	--
6.2	Marking on Nozzle	Model/ Year of Mfg./ Sl. No

## 7.0 WARRANTY

7.1	Warranty & Guarantee	12 Months from the date of supply
-----	----------------------	-----------------------------------



Maximum Recommended Pressure	12 kgf/cm <sup>2</sup>
Minimum Recommended Working Pressure	5 kgf/cm <sup>2</sup>
Test Pressure	23 kgf/cm <sup>2</sup>
Waterway Internal Diameter	75mm NB
Maximum Recommended Flow	1000 US GPM
Outlet Connection	3" MBSP Thread
Throw at 7 kgf/cm <sup>2</sup>	55 Mtrs. Horizontal
Master Stream Nozzle	Jet / Spray / Fog Type
Material of Construction	SS 316
Total Sweep Angle	100° (Adjustable 30°-50°-70°-100°)
<b>TECHNICAL SPECIFICATION</b>	



**Shah Bhogilal Jethalal & Bros.**

AHMEDABAD

**TITLE :** Oscillating Monitor, 75 mm Waterway, SS 316, Conventional Design

<b>SCALE</b>	<b>DRAWING NO:</b>	<b>SHEET</b>	<b>REV.</b>
N.T.S	SM198-75BJ	1 OF 1	0