

# PORTABLE MONITOR

SS316, 600 GPM



Portable monitors can be used where far-reaching streams are needed for firefighting but fixed monitors are not available. It's compact size allows it to be easily carried on Fire Trucks (or even smaller vehicles) and quickly deployed at the emergency scene. Can be fed with one or two 63mm Hoses for effective performance.

**Brief Description :** AAAG Portable monitor, nominal waterway size 75 NB, flow capacity 2300 lpm at 7 kg/cm<sup>2</sup> inlet pressure. Monitor shall be constructed of Aluminum alloy, with Gunmetal swivel joints (manually operated horizontal swivel joint and gear operated vertical swivel joint), 2 Nos. 63 mm Inst. Male Inlets with NRV. Body is detachable with folding support legs.

## 1.0 GENERAL DATA

1.1	Make	AAAG
1.2	Model	'Assault' Portable Monitor
1.3	Inlet	2 Nos. 63 mm Instantaneous Male Inlets
1.4	Outlet	3" BSP Male Threaded (matching to Nozzle)
1.5	Material of Construction	Stainless Steel (SS316)
1.6	Reference	--

## 2.0 MATERIAL OF CONSTRUCTION

2.1	Body	SS316
2.2	Swivel joints	Gunmetal IS:318 LTB 2
2.3	Worm Shaft	SS316
2.4	Support Legs	SS304
2.5	Nozzle	Aluminium
2.6	Male Inlets	SS316

## 3.0 TESTING AND QUALITY CONTROL

3.1	Dimensional check	See drawing below
3.2	Hydrostatic Pressure Test	23 kgf/cm <sup>2</sup> for 2.5 minutes (Monitor only)
3.3	Performance Requirements	Flow test with Foam monitor at approx. 35°, in still wind conditions Flow: 2300 lpm at 7 kg/cm <sup>2</sup> , Range 60 Mtrs (when fitted with AAAG Super Stream nozzle)
3.4	Documentation	Internal inspection report, supplier's certificates, approved laboratory test certificates

## 4.0 OPERATIONAL/ TECHNICAL DATA

4.1	Working pressure	5 to 10 Kg/cm <sup>2</sup>
4.2	Manouverability	+30°/ +90° in vertical plane, 300° in horizontal plane
4.3	Weight (approx.)	---

## 5.0 FINISH

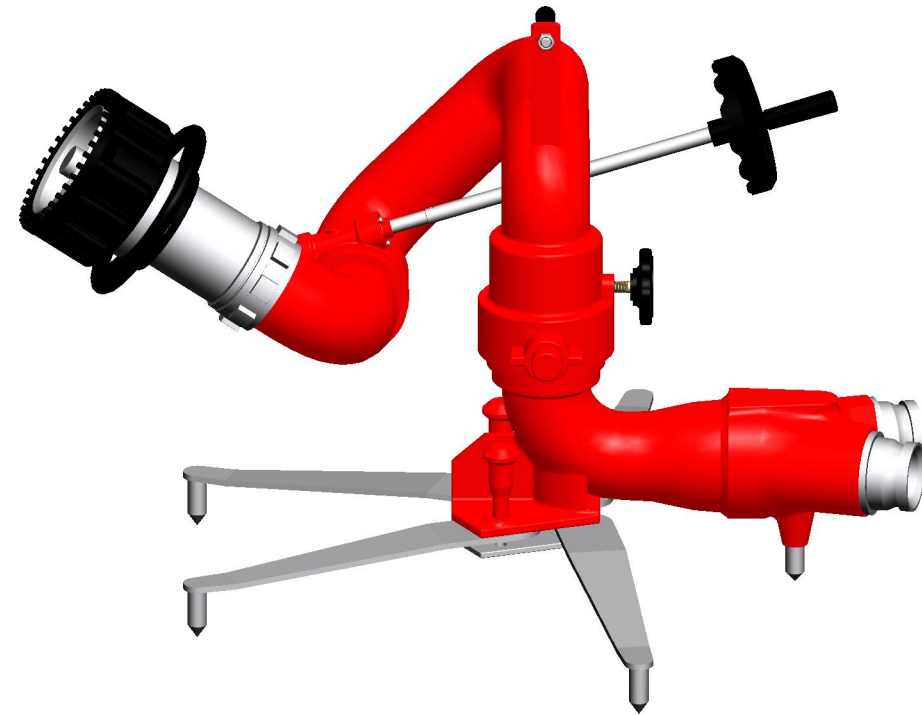
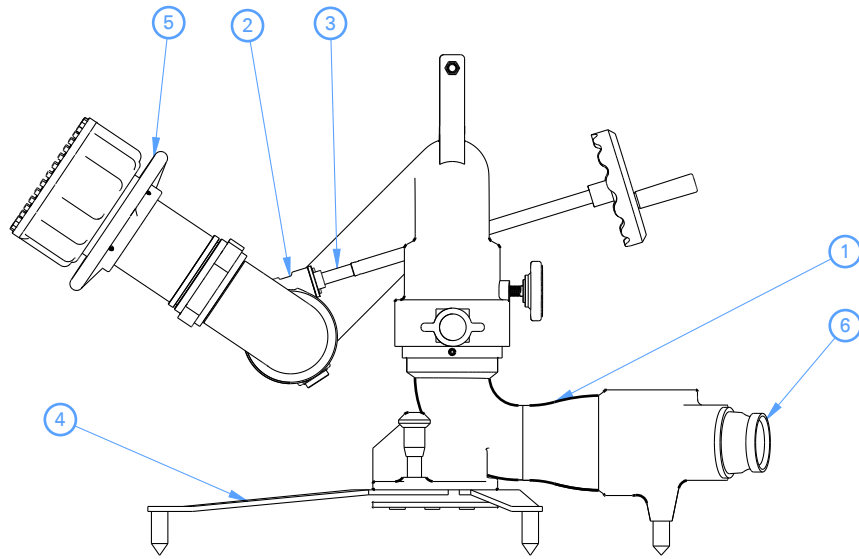
5.1	Body	Painted - Fire Red Color
5.2	Handwheel	Painted - Black Color
5.3	Nozzle	Anodized (Green Grey)

## 6.0 APPROVALS & MARKING

6.1	Approvals	--
6.2	Marking on Nozzle	Model/ Year of Mfg./ Sl. No

## 7.0 WARRANTY

7.1	Warranty & Guarantee	12 Months from the date of supply
-----	----------------------	-----------------------------------



**NOTES:**

**01. PERFORMANCE REQUIREMENTS :**

2300 LPM FLOW AT A PRESSURE OF 7 KG/CM2, WITH 60 Mtrs. HORIZONTAL THROW AT 30° TRAJECTORY. ( IN STILL WIND CONDITIONS )

**02. HYDROSTATIC PRESSURE TEST :**

( FOR MONITOR ) 25 KGF/CM2  
( FOR 2.5 MINUTES )

**03. ROTATION :**

300° IN EITHER DIRECTION IN THE HORIZONTAL PLANE & IN THE VERTICAL PLANE ( +35° , -90° )

1	BODY	SS 316 IS:3444 Gr.4
2	SWIVEL JOINTS	G.M. IS:318 LTB-2
3	WORM SHAFT	SS 316 IS:3444 Gr.4
4	SUPPORT SHAFT	SS 316 IS:3444 Gr.4
5	NOZZLE	ALUMINIUM
6	MALE INLET	SS 316 IS:3444 Gr.4
<b>NO.</b>	<b>DESCRIPTION</b>	<b>MATERIAL</b>

**PART LIST**



**Shah Bhogilal Jethalal & Bros.**

AHMEDABAD

**TITLE :**

Portable Monitor, 500-1000 GPM Capacity,  
SS 316, Conventional Design

SCALE	DRAWING NO:	SHEET	REV.
N.T.S	SM197-75BJ	1 OF 1	0