

# HOSE REEL NOZZLE

## GUNMETAL, SHUT-OFF TYPE



Hose Reel Nozzle (Shut Off type) are connected to Hose Reel hose of different sizes (upto 38 mm bore diameter) for firefighting purpose. The Shut Off Hose Reel Nozzle gives a good range jet and can be controlled by untrained/ semi trained operators with ease. The nozzle incorporates a ball valve to shut off and control the flow

**Brief Description :** AAAG Hose Reel Nozzle, Shut-Off type, 19 mm size, made of Gunmetal, for projecting water in form of solid jet. The nozzle shall have 6 mm bore outlet, and shall give a good range jet (min. 6 mtr). Nozzle shall have shut-off arrangement, and shall be suitable for connecting to 3/4" hose.

### 1.0 GENERAL DATA

1.1	Make	AAAG
1.2	Model	Hose Reel Nozzle (Shut-Off type)
1.3	Size	19 mm
1.4	Inlet	Male end (serrated) suitable for 3/4" hose
1.5	Outlet	6 mm bore Solid Jet Nozzle
1.6	Reference	--

### 2.0 MATERIAL OF CONSTRUCTION

2.1	Nozzle	GM - IS: 318 LTB-2
-----	--------	--------------------

### 3.0 TESTING AND QUALITY CONTROL

3.1	Dimensional check	See drawing below
3.2	Hydrostatic Pressure Test	14 kgf/cm <sup>2</sup> for 2.5 minutes
3.3	Documentation	Internal inspection report, supplier's certificates, approved laboratory test certificates

### 4.0 OPERATIONAL/ TECHNICAL DATA

4.1	Working pressure	Upto 10 Kg/cm <sup>2</sup>
4.2	Discharge Pattern	Solid Jet Stream (Min. 6 Mtrs)
4.3	Weight (approx.)	0.5 Kgs. (approx)

### 5.0 FINISH

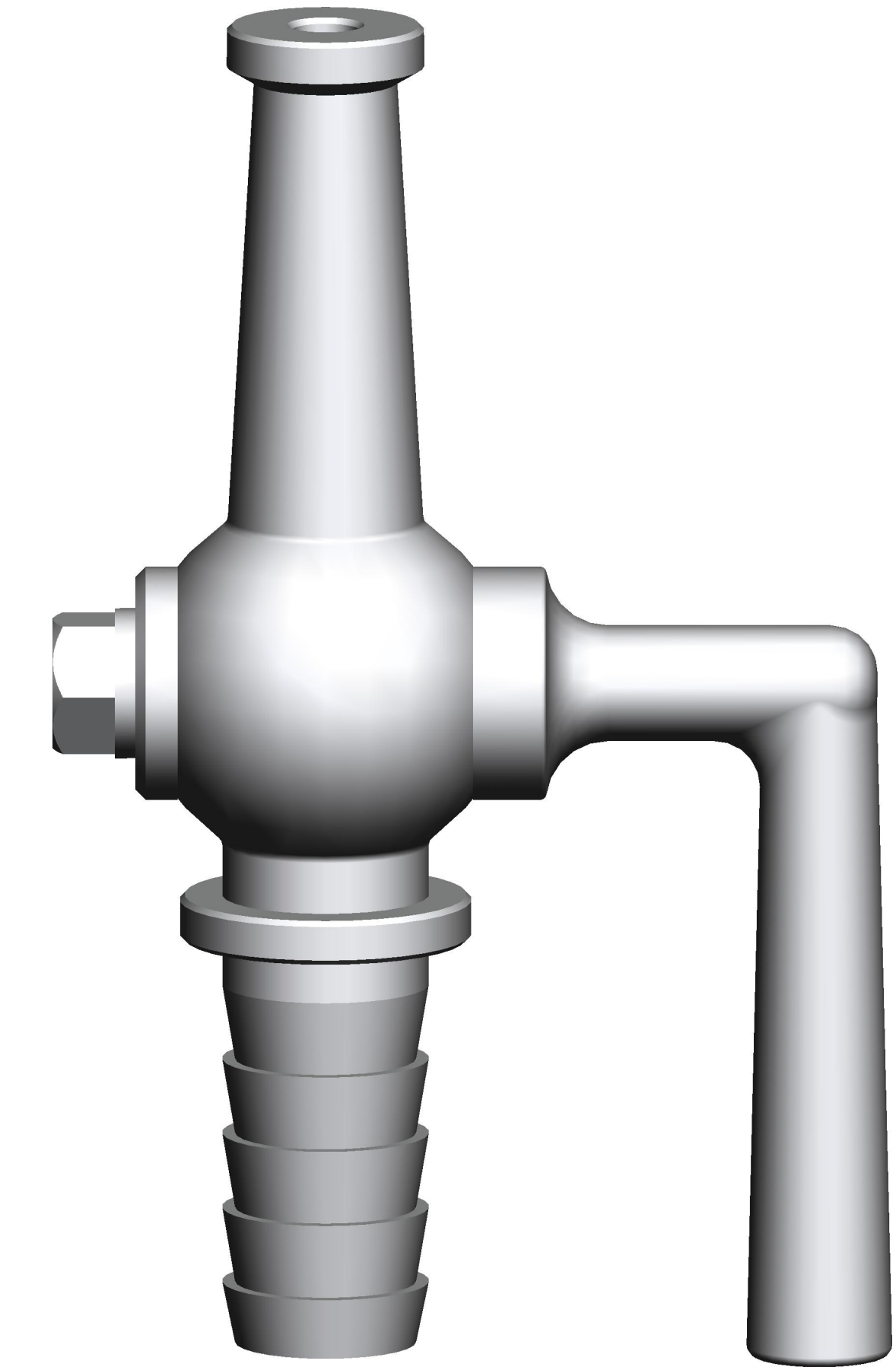
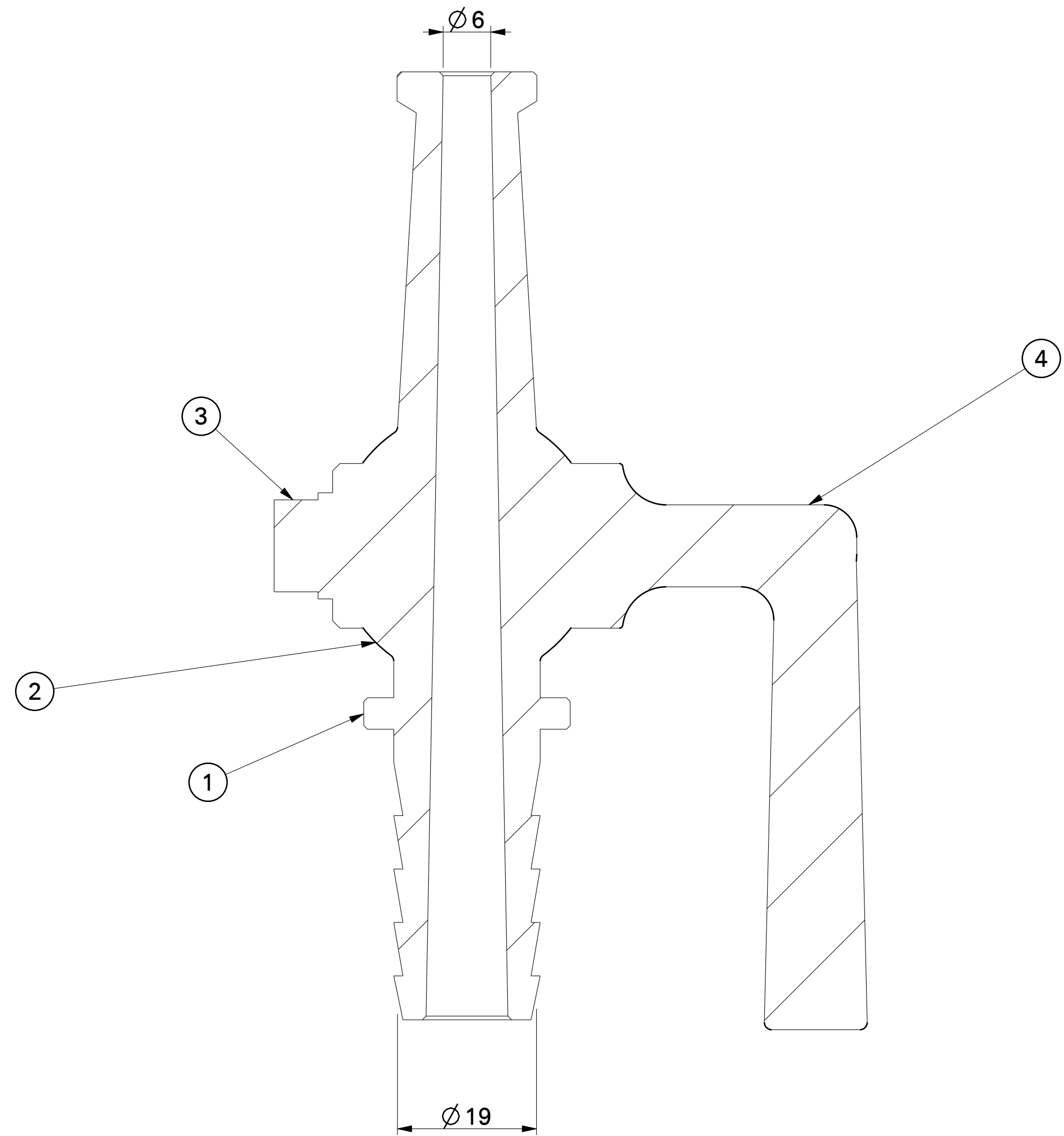
5.1	Nozzle	All parts buffed/polished
-----	--------	---------------------------

### 6.0 APPROVALS & MARKING

6.1	Approvals	--
6.2	Marking on Nozzle	AAAG/ Year of Mfg./ Size of nozzle/ SL. No

### 7.0 WARRANTY

7.1	Warranty & Guarantee	12 Months from the date of supply
-----	----------------------	-----------------------------------



1	BODY	GM IS:318, LTB-2
2	WASHER	GM IS:318, LTB-2
3	NUT	RUBBER
4	HANDLE	GM IS:318, LTB-2
NO.	DESCRIPTION	MATERIAL
PART LIST		



**Shah Bhogilal Jethalal & Bros.**

AHMEDABAD

**TITLE :** Hose Reel Nozzle, Gunmetal,  
Shut -Off Type (19 mm)

SCALE	DRAWING NO:	SHEET	REV.
N.T.S	G126A-19BJ	1 OF 1	0