

'SELECTOMAX500' NOZZLE

ALUMINIUM ALLOY, MALE INSTANTENOUS INLET



Selectable flow nozzles allow the setting of different flows depending upon the pressure available. The nozzle operator thus can adjust the flow setting to obtain optimum performance depending upon the operational requirements. Setting can be adjusted from approx. 200 to 600 lpm, with detents at specified rates

Brief Description: 'AAAG 'Selectomax 600' nozzles, made of aluminium alloy (anodized), having rubber moulded pistol grip handle, and ball valve with shut off handle. Nozzle shall have flow rate settings of approx. 200-250-350-475-600 lpm at 7 kg/cm², with good range hollow jet , and dense fog in spray position.

1.0 GENERAL DATA

1.1	Make	AAAG
1.2	Model	Selectomax 500
1.3	Inlet	63mm Instantaneous Male Inlet (Swivel type)
1.4	Outlet	Adjustable from hollow Jet to wide spray (spinning teeth)
1.5	Material of Construction	Aluminium alloy
1.6	Reference	SBJ Drawing (See below)

2.0 MATERIAL OF CONSTRUCTION

2.1	Nozzle body & parts	Aluminium alloy (Anodized)
2.2	Inlet	Aluminium alloy (Anodized)
2.3	Deflector	GM - IS: 318 LTB-2 (chromium plated)
2.4	Pistol Grip	Rubber moulded
2.5	Bumper	Rubber

3.0 TESTING AND QUALITY CONTROL

3.1	Dimensional check	As per Drawing (See below)
3.2	Performance Requirements	<u>Flow test : nozzle at 25° elevation, in still wind conditions</u> Flow of approx. 200-250-350-475-600 lpm at 7 kg/cm ² , with flush arrangement. Nozzle to give good range hollow jet and dense fog in the wide spray position. Complete shut off using On-Off handle.
3.3	Documentation	Internal inspection report, supplier's certificates, approved laboratory test certificates

4.0 OPERATIONAL/ TECHNICAL DATA

4.1	Working pressure	5 to 12 Kg/cm ²
4.2	Discharge Pattern	Adjustable from full fog to straight stream (in clockwise direction)
4.3	Weight (approx.)	--

5.0 FINISH

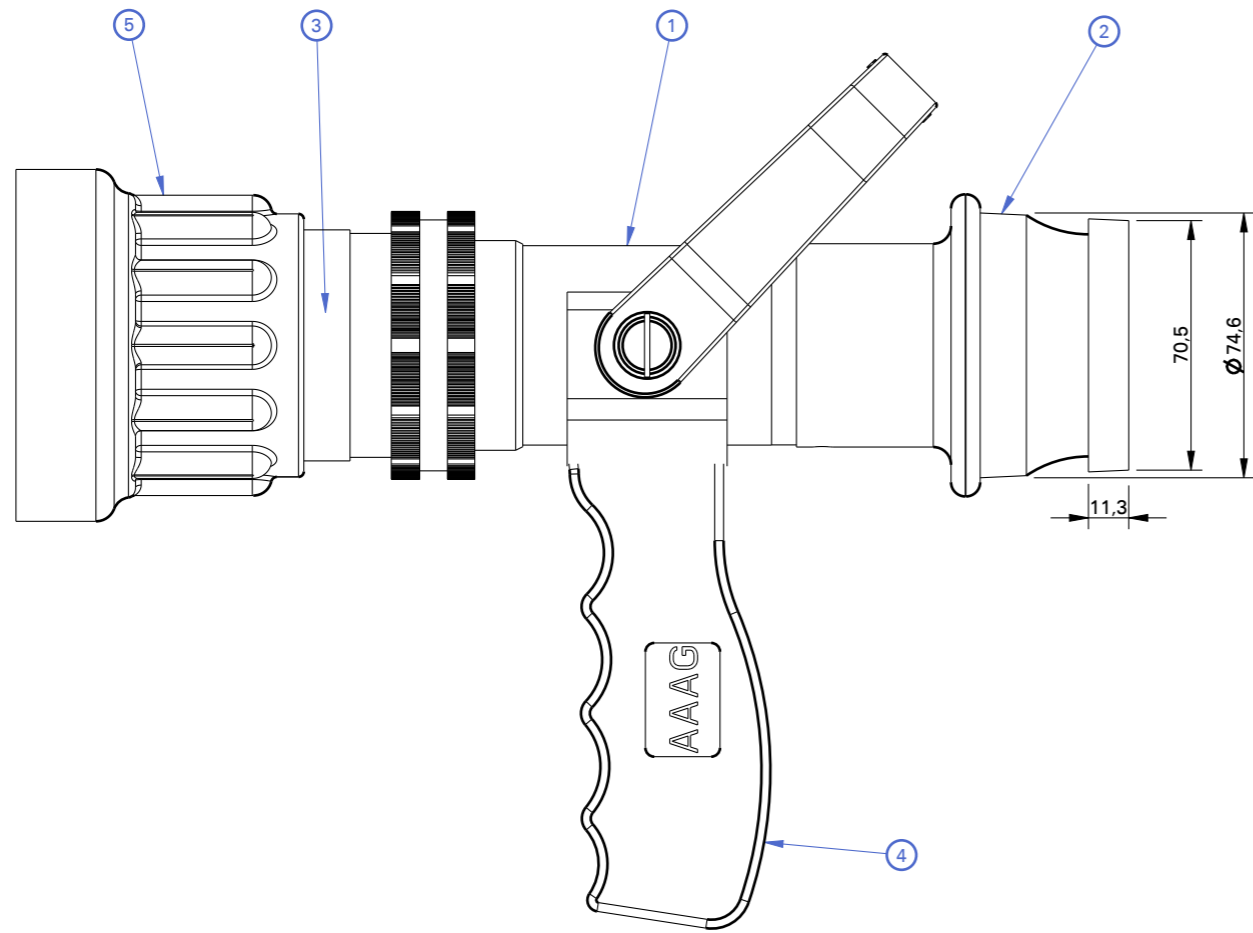
5.1	Nozzle	Anodized finish (Black/Grey)
-----	--------	------------------------------

6.0 APPROVALS & MARKING

6.1	Approvals	--
6.2	Marking on Nozzle	Model/ Discharge pattern indication

7.0 WARRANTY

7.1	Warranty & Guarantee	12 Months from the date of supply
-----	----------------------	-----------------------------------



1	NOZZLE BODY & PARTS	ALU. (ANODIZED)
2	INLET	ALU. (ANODIZED)
3	DEFLECTOR	G.M IS:318 LTB-2
4	PISTOL GRIP	RUBBER MOULDED
5	BUMPER	RUBBER
NO.	DESCRIPTION	MATERIAL
PART LIST		



Shah Bhogilal Jethalal & Bros.

AHMEDABAD

TITLE :

Selecto Flow Nozzle 'Selectomax 500', Aluminium

SCALE

N.T.S

DRAWING NO:

A125-63BJ

SHEET

1 OF 1

REV.

0