

'AUTOMAX500' AUTOMATIC NOZZLE**ALUMINIUM ALLOY, MALE INSTANTENOUS INLET**

Automatic nozzles are constant pressure nozzles, which means that they provide relatively constant pressure throughout a range of discharge rates. An adjustable outlet orifice ensures maximum exit velocity for the water stream, and consequently, optimum range even at varying discharges rates.

Brief Description: 'AAAG 'Automax 500' Automatic Nozzle, made of Aluminium alloy (hard anodized), having rubber moulded pistol grip handle, and ball valve with shut off handle. Nozzle shall have flow of approx. 500 lpm at 7 kg/cm², with good range hollow jet (34 mtrs), and outlet shall have spinning teeth for dense fog in spray position.

1.0 GENERAL DATA

1.1	Make	AAAG
1.2	Model	Automax 500
1.3	Inlet	63mm Instantaneous Male Inlet (Swivel type)
1.4	Outlet	Adjustable from hollow Jet to wide spray (spinning teeth)
1.5	Material of Construction	Aluminium alloy
1.6	Reference	SBJ Drawing (See below)

2.0 MATERIAL OF CONSTRUCTION

2.1	Nozzle body & parts	Aluminium alloy (Anodized)
2.2	Inlet	Aluminium alloy (Anodized)
2.3	Deflector	GM - IS: 318 LTB-2 (chromium plated)
2.4	Pistol Grip	Rubber moulded
2.5	Bumper	Rubber

3.0 TESTING AND QUALITY CONTROL

3.1	Dimensional check	As per Drawing (See below)
3.2	Performance Requirements	<u>Flow test : nozzle at 25° elevation, in still wind conditions</u> Flow approx. 500 lpm at 7 kg/cm ² , to give good range hollow jet approx. 34 mtrs, and dense fog in the wide spray position, with flush arrangement. Complete shut off using On-Off handle.
3.3	Documentation	Internal inspection report, supplier's certificates, approved laboratory test certificates

4.0 OPERATIONAL/ TECHNICAL DATA

4.1	Working pressure	5 to 12 Kg/cm ²
4.2	Discharge Pattern	Adjustable from full fog to straight stream (in clockwise direction)
4.3	Weight (approx.)	--

5.0 FINISH

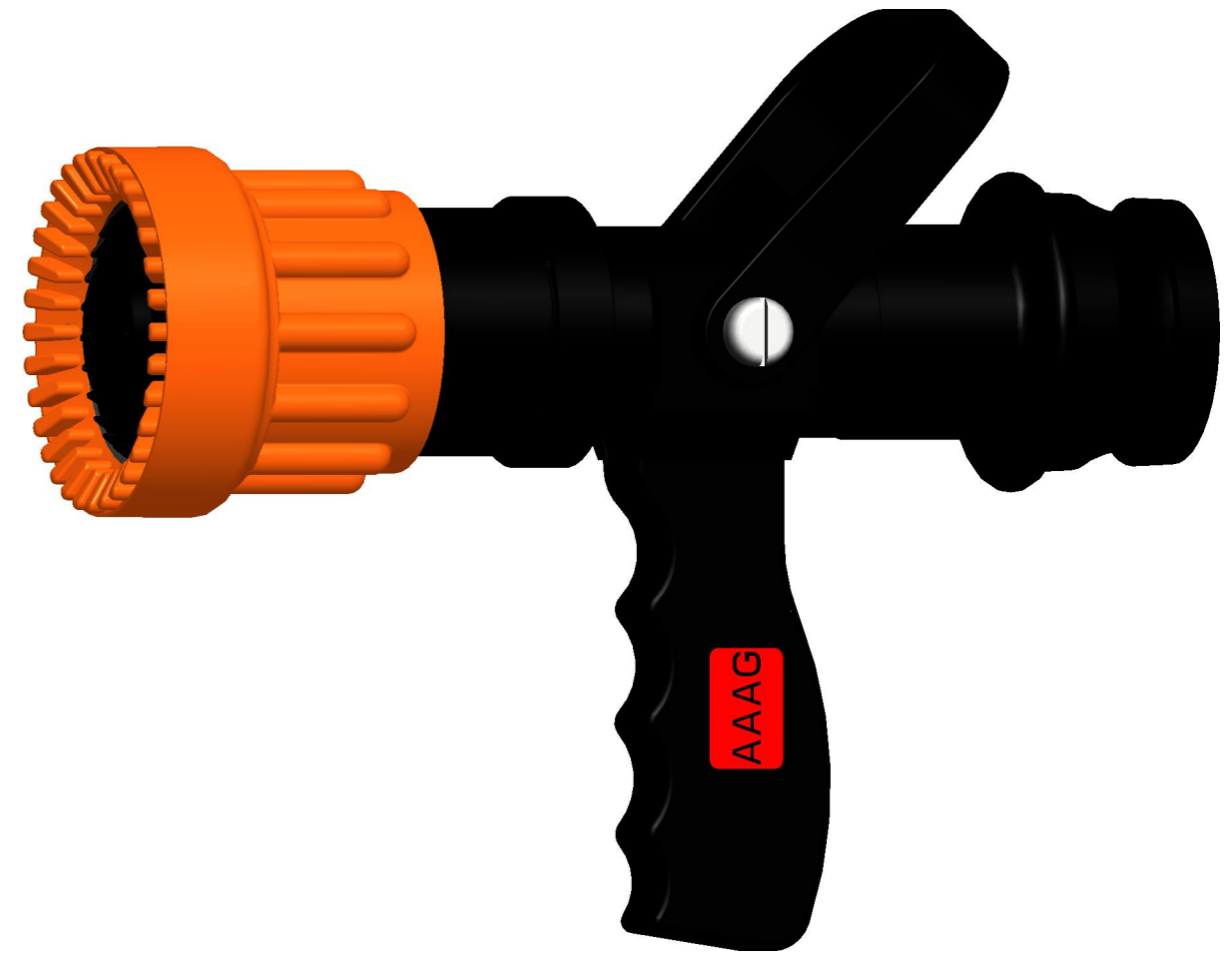
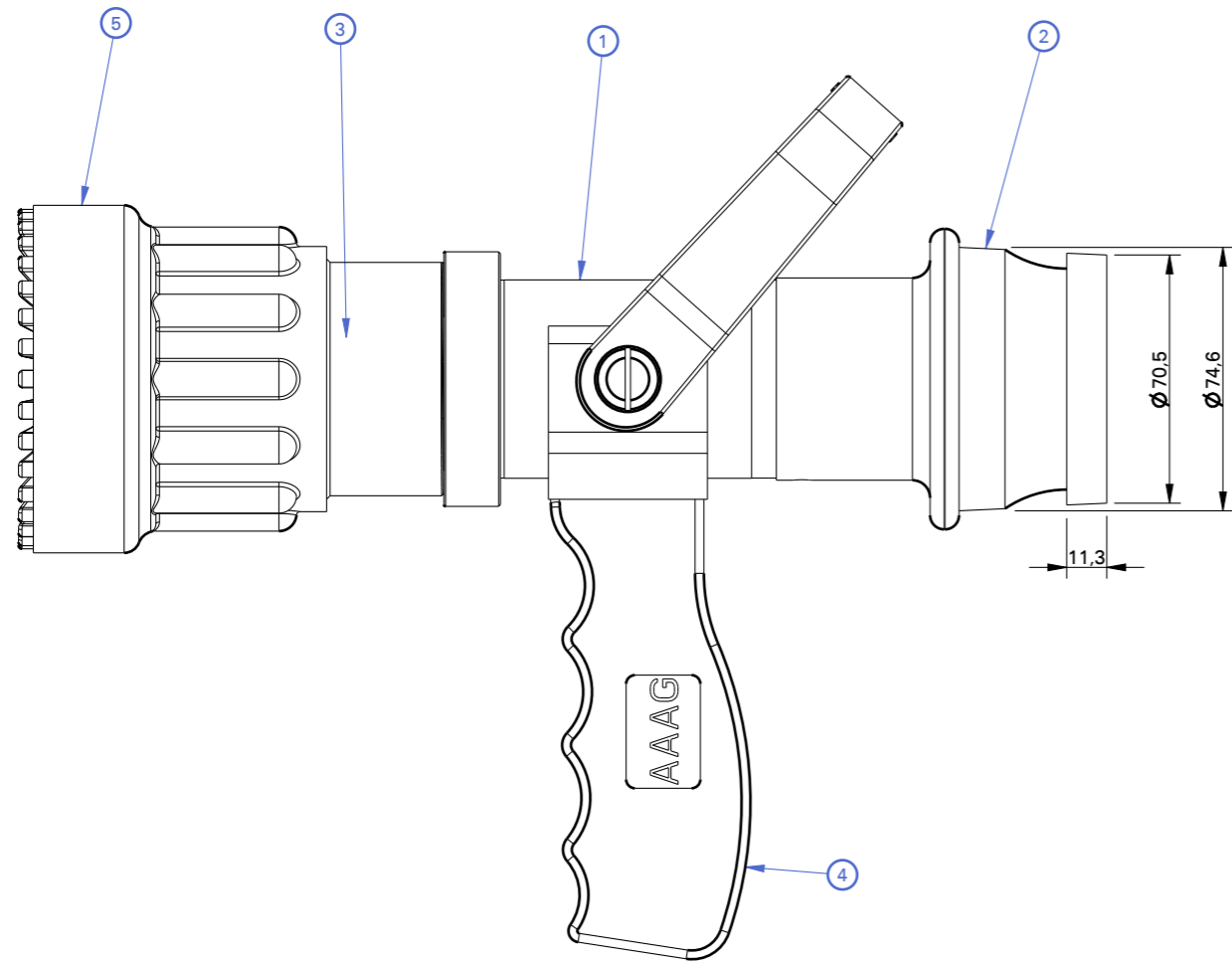
5.1	Nozzle	Anodized finish (Black/Grey)
-----	--------	------------------------------

6.0 APPROVALS & MARKING

6.1	Approvals	--
6.2	Marking on Nozzle	Model/ Discharge pattern indication

7.0 WARRANTY

7.1	Warranty & Guarantee	12 Months from the date of supply
-----	----------------------	-----------------------------------



1	NOZZLE BODY & PARTS	ALU. (ANODIZED)
2	INLET	ALU. (ANODIZED)
3	DEFLECTOR	G.M IS:318 LTB-2
4	PISTOL GRIP	RUBBER MOULDED
5	BUMPER	RUBBER
NO.	DESCRIPTION	MATERIAL
PART LIST		



Shah Bhogilal Jethalal & Bros.

AHMEDABAD

TITLE :

Automatic Nozzle 'Automax 500', Aluminium

SCALE

N.T.S

DRAWING NO:

A124-63BJ

SHEET

1 OF 1

REV.

0