

SELECT-O-FLOW NOZZLE

ALUMINIUM/GUNMETAL COMBO, MALE INSTANTENOUS INLET



Select Flow nozzles allow the operator to control the flow of the nozzle, depending upon operational requirement, and also give different discharge patterns, from hollow jet (for long range firefighting) to wide fog (for radiant heat protection). Can be used for water or foam operation, and ball valve provided can be used for complete shut off

Brief Description: AAAG Select-O-Flow nozzles, made of Aluminium/Gunmetal combination, having rubber moulded pistol grip handle, and ball valve with shut off handle. Nozzle shall have flow rate settings of 150, 275, 300, 450 & 600 lpm at 7 kg/cm², with positive locking mechanism for different settings, good range hollow jet, and dense fog in spray position.

1.0 GENERAL DATA

1.1	Make	AAAG
1.2	Model	Select Flow nozzle
1.3	Inlet	63mm Instantaneous Male Inlet
1.4	Outlet	Adjustable from hollow Jet to wide spray (spinning teeth)
1.5	Material of Construction	Aluminium/Gunmetal combination
1.6	Reference	SBJ Drawing (See below)

2.0 MATERIAL OF CONSTRUCTION

2.1	Nozzle Inlet and Outlet	Aluminium, IS:617
2.2	Valve Body	GM - IS:318 LTB-2 (chromium plated)
2.3	Pistol Grip	Rubber moulded
2.4	Bumper	Rubber

3.0 TESTING AND QUALITY CONTROL

3.1	Dimensional check	As per Drawing (See below)
3.2	Performance Requirements	<u>Flow Test:</u> Flow settings at approx. 150, 225, 350, 450, 600 lpm at 7 kg/cm ² , to give good range hollow jet and dense fog in the wide spray position. Complete shut off using On-Off handle.
3.3	Documentation	Internal inspection report, supplier's certificates, approved laboratory test certificates

4.0 OPERATIONAL/ TECHNICAL DATA

4.1	Working pressure	5 to 12 Kg/cm ²
4.2	Discharge Pattern	Adjustable from full fog to straight stream (in clockwise direction)
4.3	Weight (approx.)	3.3 Kgs.

5.0 FINISH

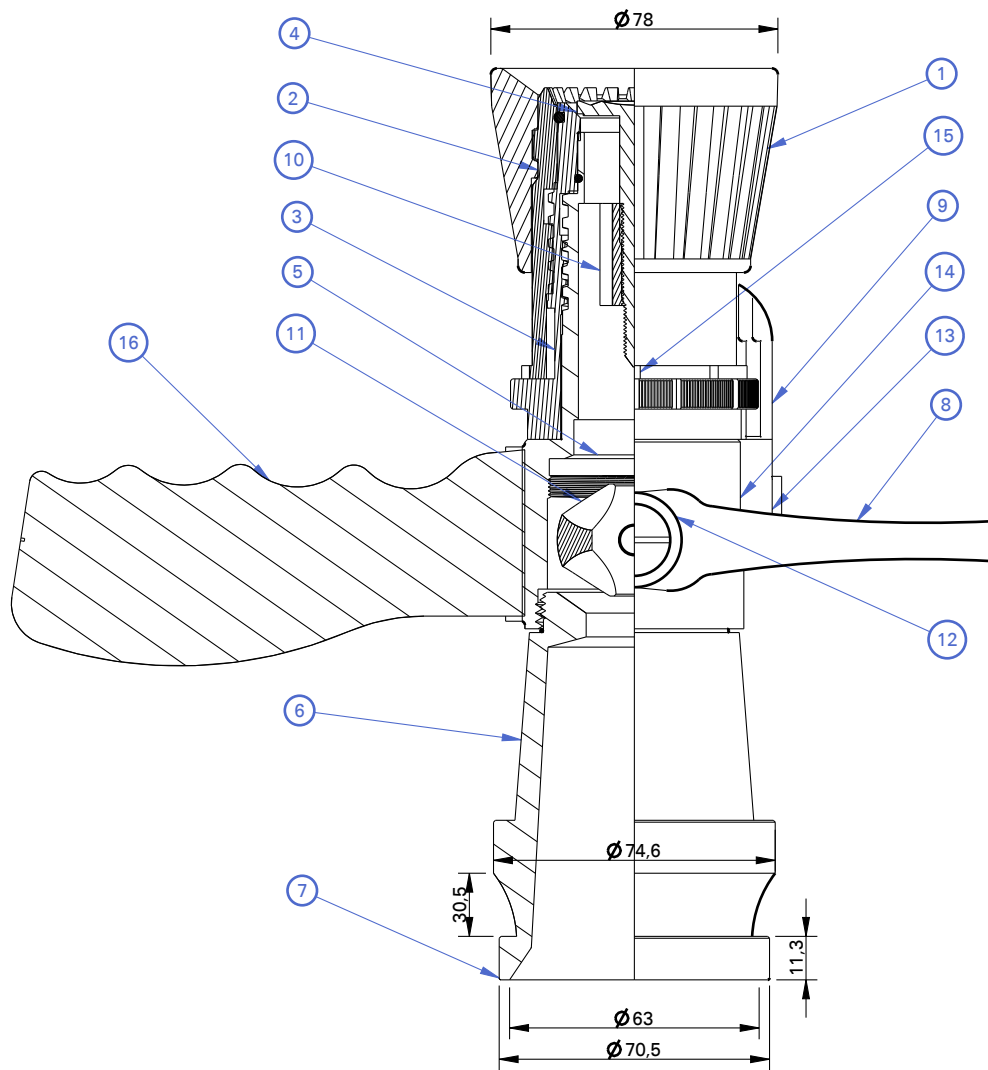
5.1	Nozzle	Aluminium parts (Anodized)/ Gunmetal parts (Chromium plated)
-----	--------	--

6.0 APPROVALS & MARKING

6.1	Approvals	--
6.2	Marking on Nozzle	Flow rates/ Discharge pattern indication

7.0 WARRANTY

7.1	Warranty & Guarantee	12 Months from the date of supply
-----	----------------------	-----------------------------------



NOTIES :

FLOW CAPACITY : 150 TO 600 LPM @ 7 KGF/CM2
 NOZZLE IS DELIVERD ONLY FOG SPRAY W/O JET

1	GRIP HAND	Rubber	9	LOCKING LEVER	G.M IS:318 LTB-2
2	TIP NOZZLE	Aluminium	10	DIFFUSER NUT	Aluminium
3	STEM NOZZLE	Aluminium	11	BALL	G.M IS:318 LTB-2
4	DIFFUSER VALVE	G.M IS:318 LTB-2	12	SCREW SET	G.M IS:318 LTB-2
5	SEAL ADJUSTABLE	G.M IS:318 LTB-2	13	PIN ROLL	G.M IS:318 LTB-2
6	BODY NOZZLE	Aluminium	14	SPRING	P.B Wire
7	MALE INST. INLET	Aluminium	15	SCREW MACH	G.M IS:318 LTB-2
8	HANDLE	G.M IS:318 LTB-2	16	PISTOL GRIP HANDLE	Rubber
NO.	DESCRIPTION	MATERIAL	NO.	DESCRIPTION	MATERIAL
PART LIST			PART LIST		



Shah Bhogilal Jethalal & Bros.

AHMEDABAD

TITLE : Select-O-Flow Nozzle,
 Gunmetal/Aluminium Combination

SCALE

N.T.S

DRAWING NO:

C118-63BJ

SHEET

1 OF 1

REV.

0