

FLAT SPRAY NOZZLE

(GUNMETAL, MALE INSTANTENOUS INLET)



The Flat Spray Nozzle can be connected to the Short Branch, and used for applying water in the form of flat spray. This is useful for sweeping oil/ chemical spills, etc.

Brief Description: AAAG Flat Spray nozzle, made of G.M., for projecting water in form of flat spray. The nozzle shall be suitable for connecting to 63 mm short branch (i.e. having G 1½ FBSP Thread).

1.0 GENERAL DATA

1.1	Make	AAAG
1.2	Model	Flat Spray Nozzle
1.3	Inlet	Threaded (1½" BSP Female Threads)
1.4	Outlet	Flat Spray Orifice
1.5	Material of Construction	Gun Metal Body
1.6	Reference	SBJ Drawing (See below)

2.0 MATERIAL OF CONSTRUCTION

2.1	Nozzle	GM - IS: 318 LTB-2
-----	--------	--------------------

3.0 TESTING AND QUALITY CONTROL

3.1	Dimensional check	As per Drawing (See below)
3.2	Hydrostatic Pressure Test	--
3.3	Documentation	Internal inspection report, supplier's certificates, approved laboratory test certificates

4.0 OPERATIONAL/ TECHNICAL DATA

4.1	Working pressure	5 to 12 Kg/cm ²
4.2	Discharge Pattern	Flat spray
4.3	Weight (approx.)	---

5.0 FINISH

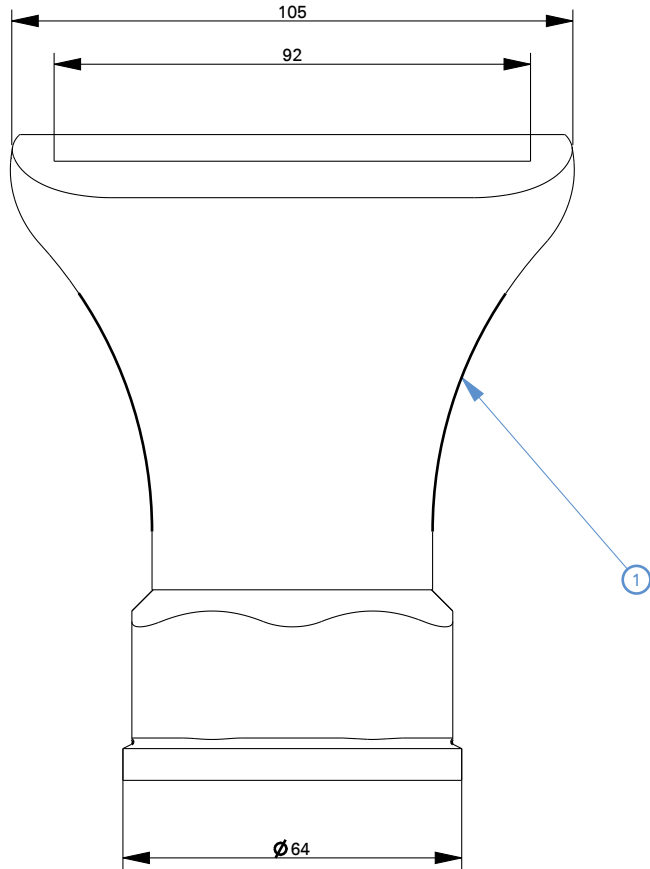
5.1	Nozzle	Gunmetal parts polished
-----	--------	-------------------------

6.0 APPROVALS & MARKING

6.1	Approvals	--
6.2	Marking on Nozzle	AAAG/ Year of Mfg./ Sl. No

7.0 WARRANTY

7.1	Warranty & Guarantee	12 Months from the date of supply
-----	----------------------	-----------------------------------



NOTES:

APPROX FLOW : 900LPM @ 7 kgf/cm²

APPROX SPRAY ANGLE : 60°

NO.	DESCRIPTION	MATERIAL
1	NOZZLE	G.M. IS:318 LTB-2
PART LIST		



Shah Bhogilal Jethalal & Bros.

AHMEDABAD

TITLE :

Flat Spray Nozzle, Gunmetal

SCALE	DRAWING NO:	SHEET	REV.
N.T.S	G122-63BJ	1 OF 1	0