

CURTAIN NOZZLE

GUNMETAL WITH M.S. DEFLECTOR PLATE



Curtain nozzles are used to create a semi-circular vertical spray of water, which provides protection to Fire fighters/ equipment from the radiant heat given out from fires. Also called 'Mayura' nozzle locally.

Brief Description: AAAG Curtain nozzle, 63 mm size, made of Gunmetal with M.S. Plate Deflector, having flow of approximately 900 lpm @ 7 kg/cm², fitted with Male Instantaneous Inlet, suitable for use with 63 mm size hose, and giving semi-circular spray pattern for radiant heat protection.

1.0 GENERAL DATA

1.1	Make	AAAG
1.2	Model	Curtain Nozzle 63 mm size
1.3	Inlet	63mm Instantaneous Male Inlet
1.4	Outlet	Flat Spray Orifice
1.5	Material of Construction	Gun Metal Body/ M.S. Plate Deflector
1.6	Reference	SBJ Drawing No. (see below)

2.0 MATERIAL OF CONSTRUCTION

2.1	Body/Inlet	GM - IS: 318 LTB-2
2.2	Deflector Plate	M.S.

3.0 TESTING AND QUALITY CONTROL

3.1	Dimensional check	As per Drawing No. (see below)
3.2	Hydrostatic Pressure Test	--
3.3	Performance Requirements	<u>Flow test:</u> approx 900 lpm (min) at 7 kg/cm ² pressure with approx. semi circular spray pattern : 18 Mtrs (min) Width, 6 Mtrs. Height.
3.4	Documentation	Internal inspection report, supplier's certificates, approved laboratory test certificates

4.0 OPERATIONAL/ TECHNICAL DATA

4.1	Working pressure	5 to 12 Kg/cm ²
4.2	Discharge Pattern	Semi-circular spray, Approx. 18 Mtrs Width, 6 Mtrs Height
4.3	Weight (approx.)	2.0 Kgs. (approx)

5.0 FINISH

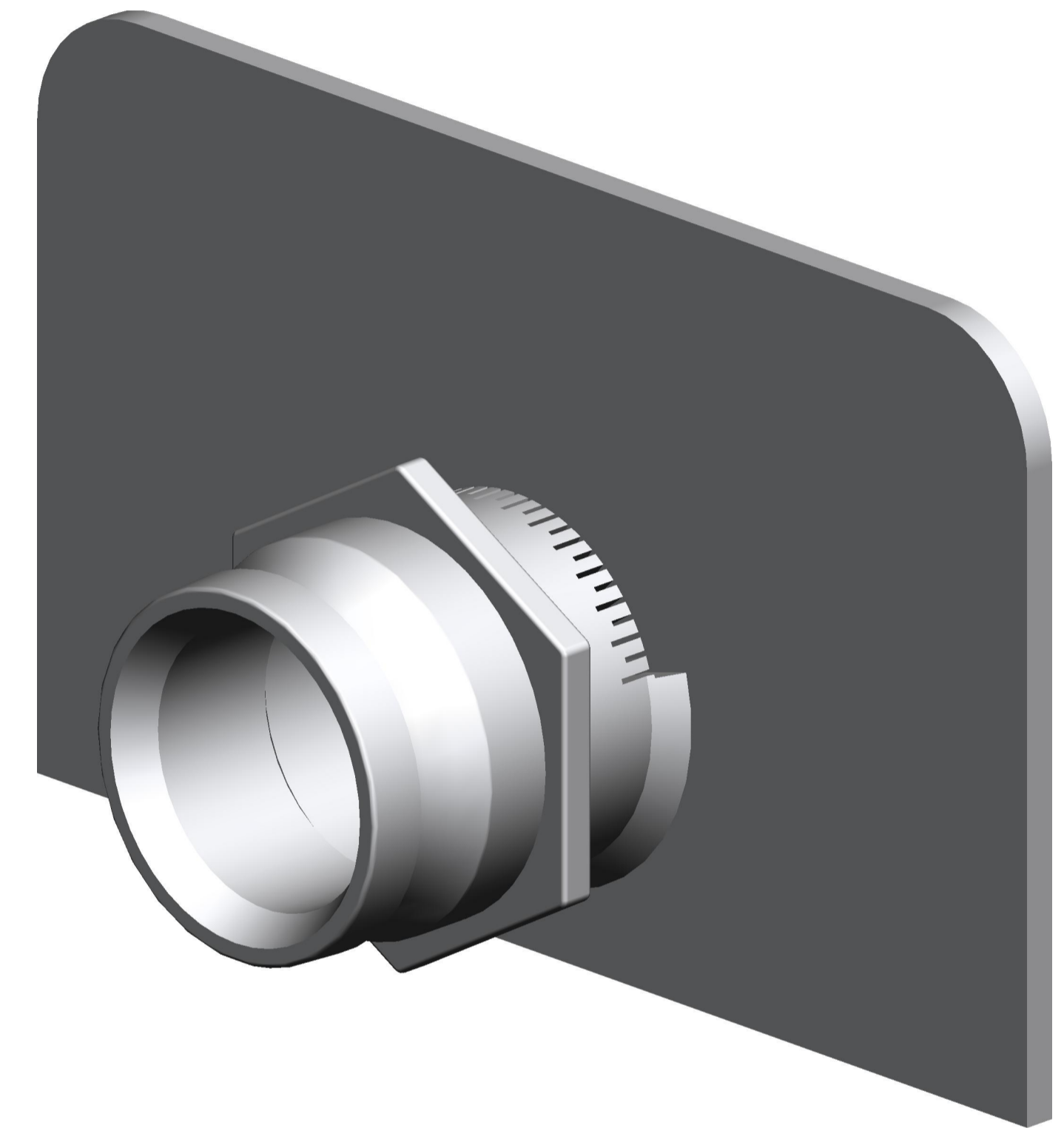
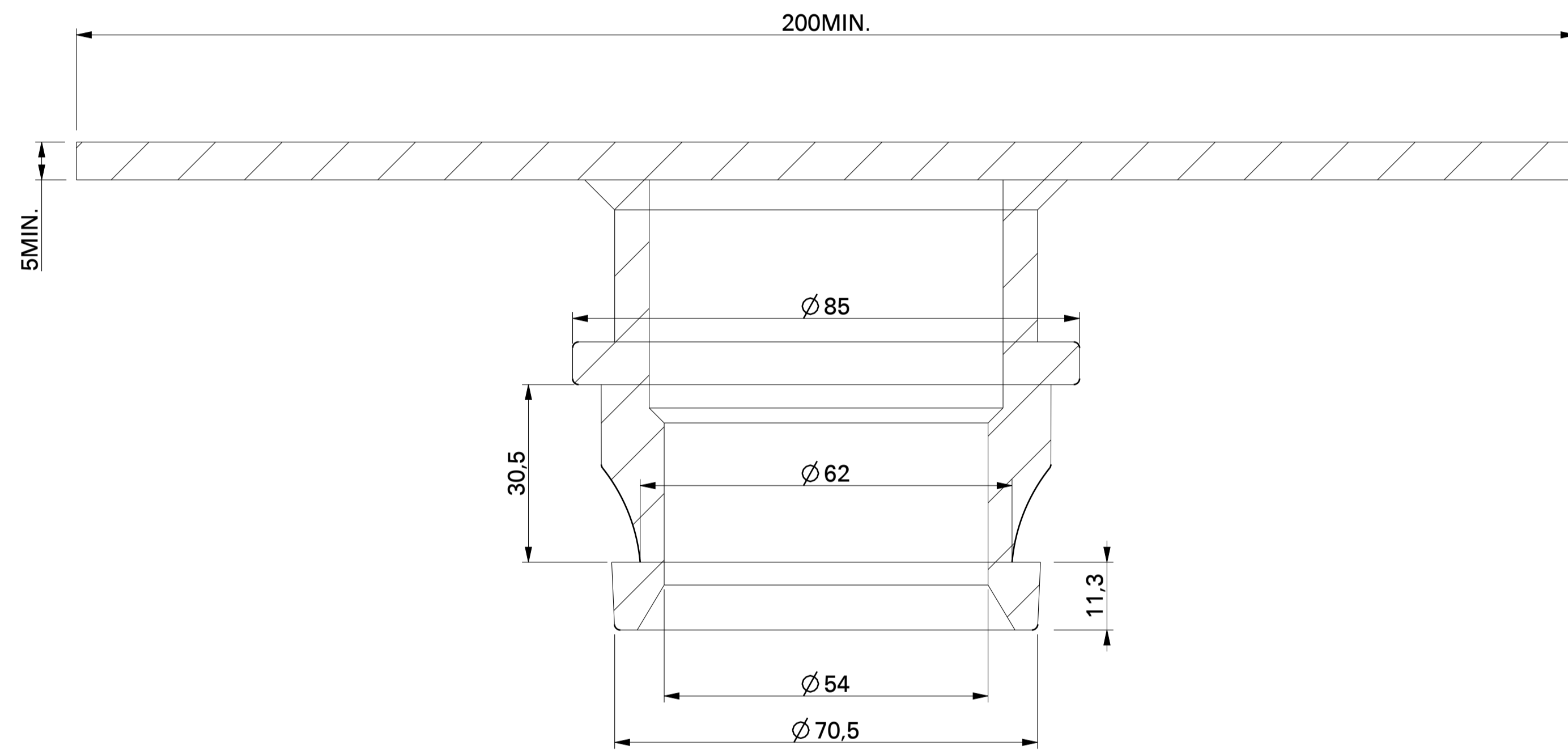
5.1	Nozzle	Gunmetal parts polished/M.S. Plate painted
-----	--------	--

6.0 APPROVALS & MARKING

6.1	Approvals	--
6.2	Marking on Nozzle	AAAG/ Year of Mfg./ Sl. No

7.0 WARRANTY

7.1	Warranty & Guarantee	12 Months from the date of supply
-----	----------------------	-----------------------------------



1	MALE INST. ADAPTOR	G.M. IS: 318, LTB-2
2	CURTAIN PLATE	M.S. PLATE
NO.	DESCRIPTION	MATERIAL
PART LIST		



Shah Bhogilal Jethalal & Bros.

AHMEDABAD

TITLE :

**Water Curtain Nozzle, M.S. Plate,
Conventional Design**

SCALE

N.T.S

DRAWING NO:

G120-63BJ

SHEET

1 OF 1

REV.

0