

REVOLVING NOZZLE

GUNMETAL, AS PER IS:906



Revolving Nozzles create a 3-dimensional spray, resulting in excellent cooling. This can be used for protecting fixed Roof Storage tanks as also in fire prevention applications. Made as per Indian Standard IS: 906, available in different capacities/ range, and with coupling/ flanged connection.

Brief Description: AAAG 63mm Revolving Nozzle, made of Gun Metal, as per IS:906 having 63mm Male Inst. Connection (Flange Connection also available). Nozzle shall be capable of giving good quality 3-dimensional spray.

1.0 GENERAL DATA

1.1	Make	AAAG
1.2	Model	63 mm
1.3	Inlet	63mm Male Inst. / Flanged also available
1.4	Outlet	Revolving Head
1.5	Material of Construction	Gun Metal
1.6	Reference	IS: 906

2.0 MATERIAL OF CONSTRUCTION

2.1	Body	GM - IS: 318 LTB-2
2.2	Revolving Head	GM - IS: 318 LTB-2
2.3	Cap	GM - IS: 318 LTB-2
2.4	Ball Bearings	SS 304

3.0 TESTING AND QUALITY CONTROL

3.1	Dimensional check	As per IS:906 (See drawing below)
3.2	Performance Requirements	<u>Flow test</u> : Flow approx. 400 to 500 lpm at 7 kg/cm ² pressure, and to give even, 3-dimensional spray. Nozzle to begin rotating at 2 kg/cm ² pressure.
3.3	Documentation	Internal inspection report, supplier's certificates, approved laboratory test certificates

4.0 OPERATIONAL/ TECHNICAL DATA

4.1	Working pressure	5 to 12 Kg/cm ²
4.2	Discharge Pattern	Even, 3-dimensional spray, approx. 5-6 mtrs dia. for 400 lpm capacity
4.3	Weight (approx.)	--

5.0 FINISH

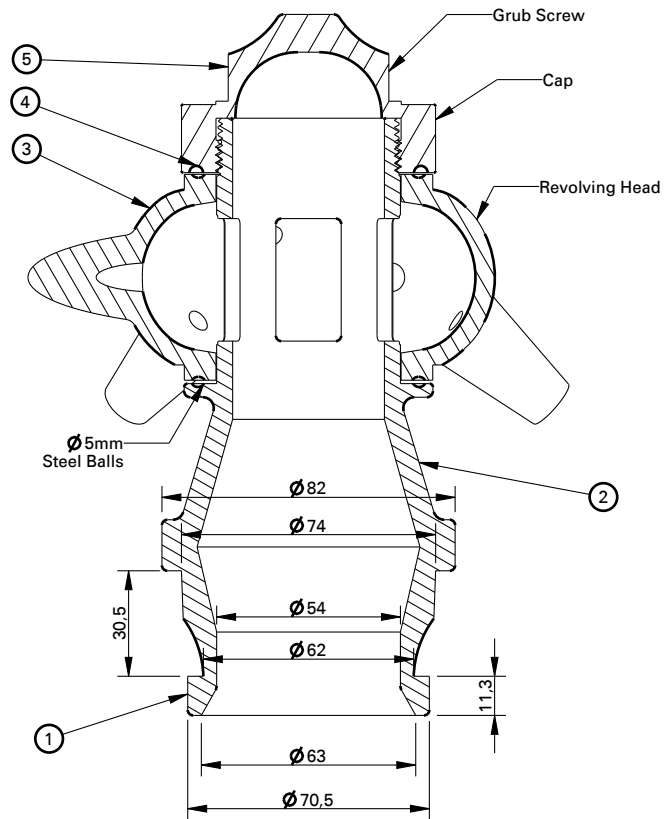
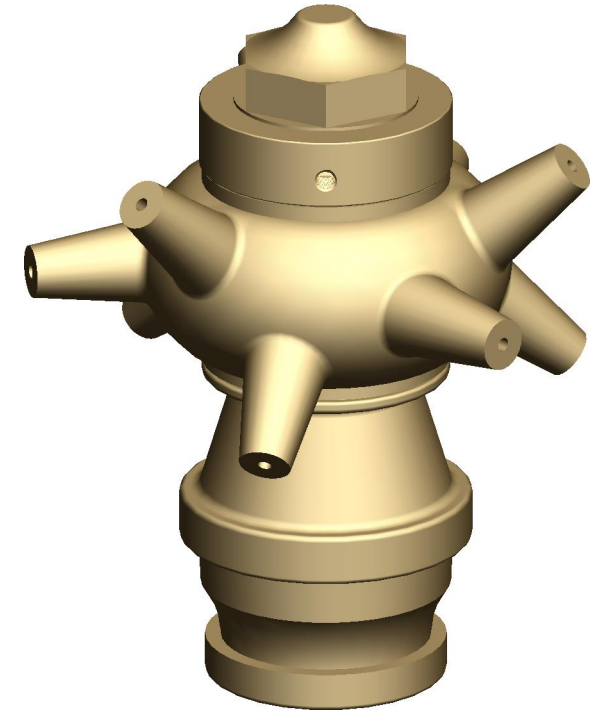
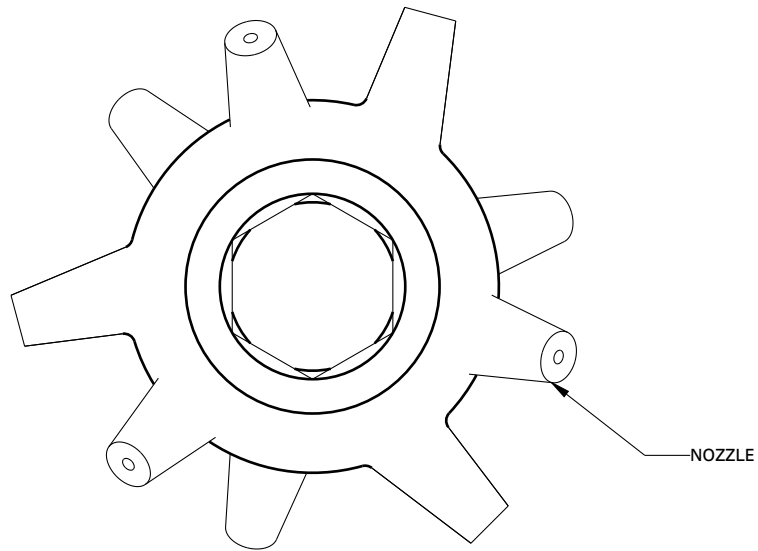
5.1	Nozzle	All parts chromium plated
-----	--------	---------------------------

6.0 APPROVALS & MARKING

6.1	Approvals	--
6.2	Marking on Nozzle	AAAG/ Year of Mfg./ Sl. No

7.0 WARRANTY

7.1	Warranty & Guarantee	12 Months from the date of supply
-----	----------------------	-----------------------------------



1	INST.MALE	GM IS:318 LTB-2
2	BODY	GM IS:318 LTB-2
3	REVOLVING HEAD	GM IS:318 LTB-2
4	BALL	S.S
5	REVOLVING NUT	GM IS:318 LTB-2
NO	DESCRIPTION	MATERIAL
PART LIST		



Shah Bhogilal Jethalal & Bros.

AHMEDABAD

TITLE :

Revolving Nozzle, Gunmetal, As Per IS: 906

SCALE

DRAWING NO:

SHEET

REV.

N.T.S

G115-63AS

1 OF 1

0