

DIFFUSER NOZZLE

GUNMETAL, NUNAN INLET



Diffuser nozzle is a jet/ spray (combination) type nozzle for fire fighting use. Due to its compact size, it is preferred for use on naval ships, hence also called 'Navy type nozzle'.

Brief Description: AAAG Diffuser nozzle, made of Gunmetal, having Nunan Inlet adaptor, for use with Fire fighting Hoses, capable of giving hollow jet, narrow fog and wide fog, as well as complete shut off while operating. H.P. tested to 21 kgf/cm² for 2.5 minutes.

1.0 GENERAL DATA

1.1	Make	AAAG
1.2	Model	Diffuser Nozzle (Navy Type Nozzle)
1.3	Inlet	Nunan Inlet
1.4	Outlet	Jet & Spray
1.5	Material of Construction	Gun Metal
1.6	Reference	SBJ Drawing (see below)

2.0 MATERIAL OF CONSTRUCTION

2.1	Body/Inlet	GM - IS: 318 LTB-2
2.2	Nozzle	GM - IS: 318 LTB-2
2.3	Diffuser Valve	GM - IS: 318 LTB-2
2.4	Deflector	GM - IS: 318 LTB-2

3.0 TESTING AND QUALITY CONTROL

3.1	Dimensional check	As per Drawing (see below)
3.2	Hydrostatic Pressure Test	21 kgf/cm ² for 2.5minutes
3.3	Performance Requirements	<u>Flow test</u> : Discharge adjustable from wide angle spray to narrow angle spray to hollow jet to complete shut off.
3.4	Documentation	Internal inspection report, supplier's certificates, approved laboratory test certificates

4.0 OPERATIONAL/ TECHNICAL DATA

4.1	Working pressure	5 to 12 Kg/cm ²
4.2	Discharge Pattern	Changeover from wide spray to hollow jet to shut off (clockwise direction) and vice-versa
4.3	Weight (approx.)	2.3 Kgs. (approx)

5.0 FINISH

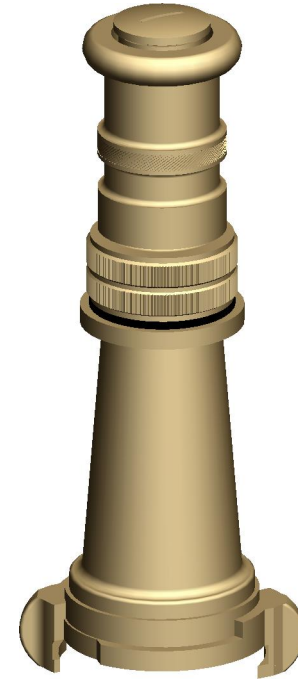
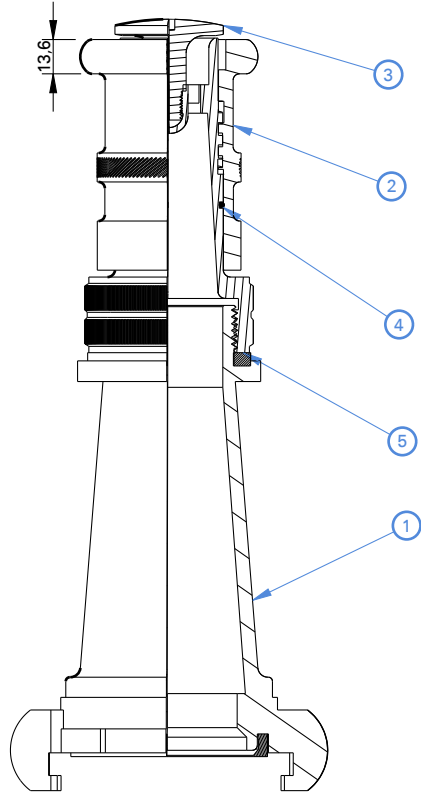
5.1	Nozzle	All parts polished/buffed
-----	--------	---------------------------

6.0 APPROVALS & MARKING

6.1	Approvals	--
6.2	Marking on Nozzle	AAAG/ Year of Mfg./ Sl. No

7.0 WARRANTY

7.1	Warranty & Guarantee	12 Months from the date of supply
-----	----------------------	-----------------------------------



NOTES:

HYDRAULIC TEST : 21 KGF/CM2.

1	BODY	G.M IS:318 LTB-2
2	NOZZLE	G.M IS:318 LTB-2
3	DIFFUSER VALVE	G.M IS:318 LTB-2
4	O' RING	RUBBER
5	FLAT R WASHER	RUBBER
NO.	DESCRIPTION	MATERIAL
PART LIST		



Shah Bhogilal Jethalal & Bros.

AHMEDABAD

TITLE :

Diffuser Nozzle , Gunmetal, Nunan Inlet

SCALE	DRAWING NO:	SHEET	REV.
N.T.S	G1171-63BJ	1 OF 1	0