

# DIFFUSER NOZZLE

**STAINLESS STEEL-SS316, MALE INSTANTENOUS INLET**



Diffuser nozzle is a jet/ spray (combination) type nozzle for fire fighting use. Due to its compact size, it is preferred for use on naval ships, hence also called 'Navy type nozzle'.

**Brief Description:** AAAG Diffuser nozzle, made of Stainless Steel (SS316), having Instantaneous Male Inlet adaptor, for use with 63 mm Hoses, capable of giving hollow jet, narrow fog and wide fog, as well as complete shut off while operating. H.P. tested to 21 kgf/cm<sup>2</sup> for 2.5 minutes.

### 1.0 GENERAL DATA

1.1	Make	AAAG
1.2	Model	Diffuser Nozzle (Navy Type Nozzle)
1.3	Inlet	63mm Instantaneous Male Inlet (other inlets available on request)
1.4	Outlet	Jet & Spray
1.5	Material of Construction	Stainless Steel
1.6	Reference	SBJ Drawing (see below)

### 2.0 MATERIAL OF CONSTRUCTION

2.1	Body	IS: 3444, Gr. IV
2.2	Nozzle	IS: 3444, Gr. IV
2.3	Diffuser Valve	IS: 3444, Gr. IV
2.4	Deflector	IS: 3444, Gr. IV

### 3.0 TESTING AND QUALITY CONTROL

3.1	Dimensional check	As per Drawing (see below)
3.2	Hydrostatic Pressure Test	21 kgf/cm <sup>2</sup> for 2.5minutes
3.3	Performance Requirements	<u>Flow test</u> : Discharge adjustable from wide angle spray to narrow angle spray to hollow jet to complete shut off.
3.4	Documentation	Internal inspection report, supplier's certificates, approved laboratory test certificates

### 4.0 OPERATIONAL/ TECHNICAL DATA

4.1	Working pressure	5 to 12 Kg/cm <sup>2</sup>
4.2	Discharge Pattern	Changeover from wide spray to hollow jet to shut off (clockwise direction) and vice-versa
4.3	Weight (approx.)	---

### 5.0 FINISH

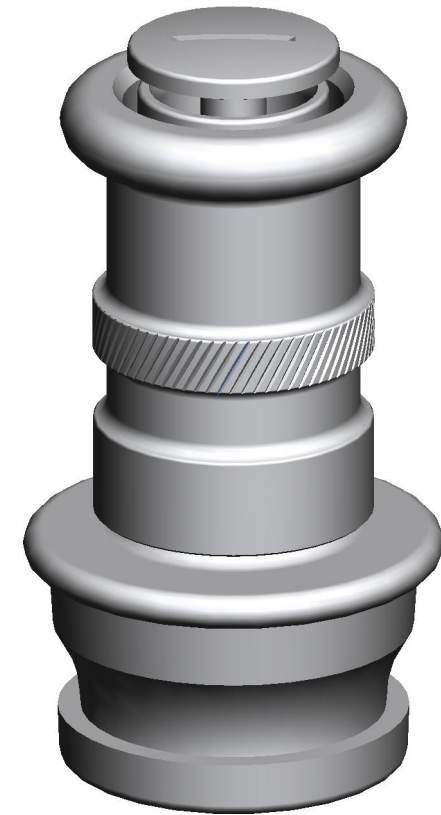
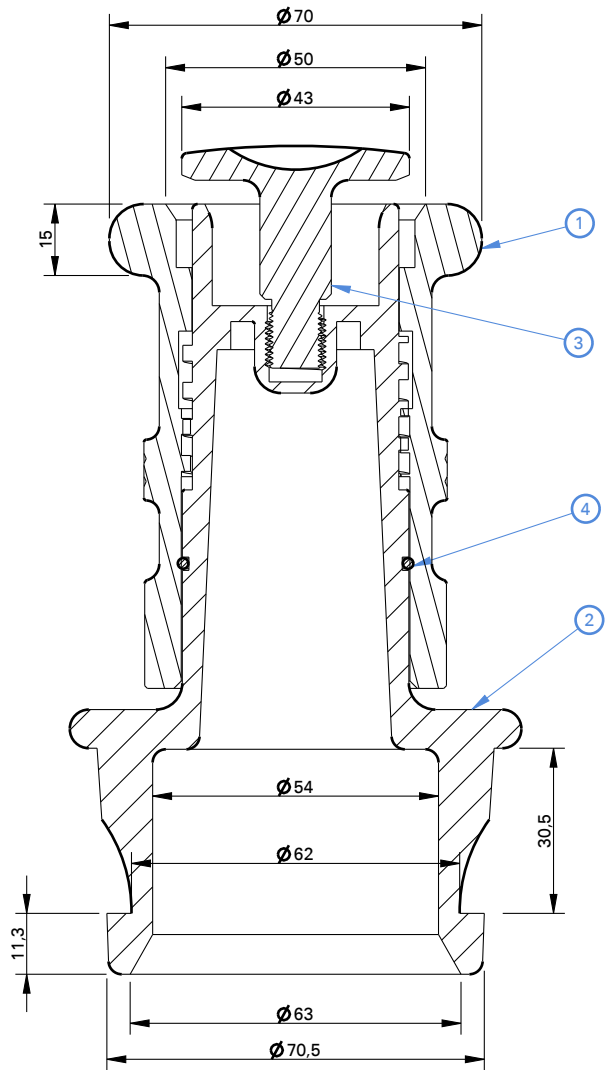
5.1	Nozzle	All parts polished/buffed
-----	--------	---------------------------

### 6.0 APPROVALS & MARKING

6.1	Approvals	--
6.2	Marking on Nozzle	AAAG/ Year of Mfg./ Sl. No

### 7.0 WARRANTY

7.1	Warranty & Guarantee	12 Months from the date of supply
-----	----------------------	-----------------------------------



1	BODY	SS 316 (IS:3444 Gr.4)
2	MALE INST.	SS 316 (IS:3444 Gr.4)
3	DIFFUSER VALVE	SS 316 (IS:3444 Gr.4)
4	O' RING	RUBBER IS:937
NO	DESCRIPTION	MATERIAL
PART LIST		



**Shah Bhogilal Jethalal & Bros.**

AHMEDABAD

**TITLE :**

Diffuser Nozzle, SS 316,  
Male Instantenous Inlet

**SCALE**

N.T.S

**DRAWING NO:**

SM117-63BJ

**SHEET**

1 OF 1

**REV.**

0