

TRIPLE PURPOSE NOZZLE**GUNMETAL, SCREWED INLET**

Triple purpose nozzles are combination nozzles, which give the option of hollow jet, protective spray or complete shut-off. Popular in industrial premises as they give the operator control over the discharge. The discharge can be varied by rotating the outer body, and the flow varies as the discharge changes from spray to jet.

Brief Description: AAAG Triple purpose Nozzle, Screwed Inlet Design, made of Gunmetal, with option of projecting water in form of hollow jet or full, protective spray, and shall have facility of complete shut-off. Nozzle shall have 63mm Female Threaded Inlet, discharge outlet shall have rubber ring for protection, and fixed teeth for giving good quality spray. H.P tested to 21 kgf/cm² for 2.5 minutes.

1.0 GENERAL DATA

1.1	Make	AAAG
1.2	Model	Triple purpose Nozzle
1.3	Inlet	Screwed Inlet (Female Thread – 1½" BSP)
1.4	Outlet	Hollow jet, Spray and Shut Off
1.5	Material of Construction	Gun Metal
1.6	Reference	SBJ Drawing (See below)

2.0 MATERIAL OF CONSTRUCTION

2.1	Body	GM - IS: 318 LTB-2
2.2	Nozzle	GM - IS: 318 LTB-2
2.3	Diffuser Valve	GM - IS: 318 LTB-2
2.4	Diffuser Nut	GM - IS: 318 LTB-2

3.0 TESTING AND QUALITY CONTROL

3.1	Dimensional check	As per SBJ Drawing (see below)
3.2	Hydrostatic Pressure Test	21 kgf/cm ² for 2.5minutes
3.3	Performance Requirements	<u>Flow test</u> : Discharge adjustable from wide angle spray to narrow angle spray to hollow jet to complete shut off.
3.4	Documentation	Internal inspection report, supplier's certificates, approved laboratory test certificates

4.0 OPERATIONAL/ TECHNICAL DATA

4.1	Working pressure	5 to 12 Kg/cm ²
4.2	Discharge Pattern	Changeover from wide spray to hollow jet to shut off (clockwise direction) and vice-versa
4.3	Weight (approx.)	2.3 Kgs.

5.0 FINISH

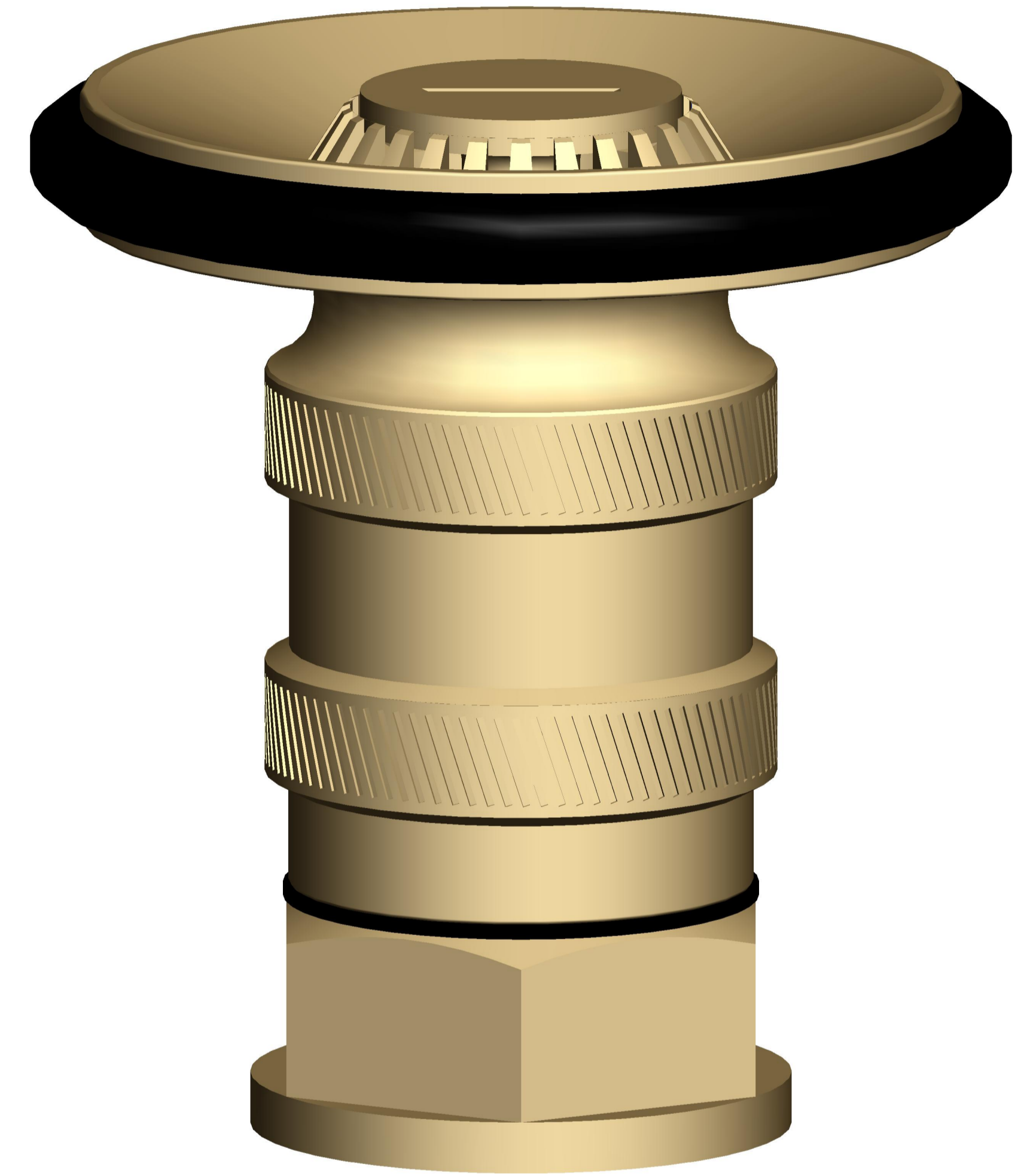
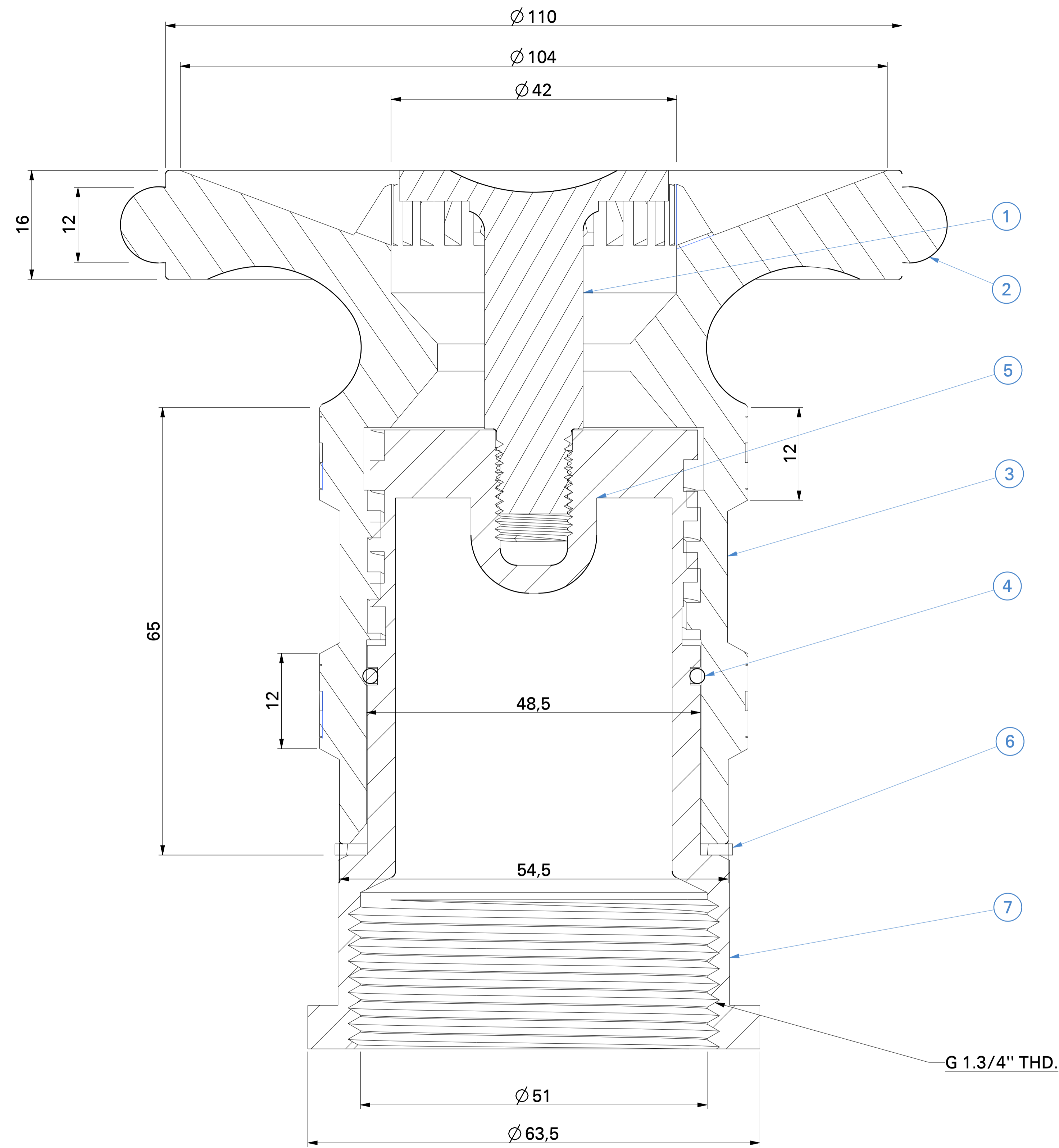
5.1	Nozzle	All parts chromium plated
-----	--------	---------------------------

6.0 APPROVALS & MARKING

6.1	Approvals	--
6.2	Marking on Nozzle	AAAG/ Year of Mfg./ Sl. No

7.0 WARRANTY

7.1	Warranty & Guarantee	12 Months from the date of supply
-----	----------------------	-----------------------------------



1	DIFFUSER VALVE	G.M IS: 318, LTB-2
2	O' RING	NATURAL RUBBER
3	NOZZLE	G.M IS: 318, LTB-2
4	O' RING	RUBBER
5	DIFFUSER NUT	G.M IS: 318, LTB-2
6	FLAT WASHER	RUBBER
7	HEX, NUT	G.M IS: 318, LTB-2
NO.	DESCRIPTION	MATERIAL
PART LIST		



Shah Bhogilal Jethalal & Bros.

AHMEDABAD

TITLE :

Triple Purpose Nozzle, Genmetal,
Screwed Inlet

SCALE

N.T.S

DRAWING NO:

G1160-63BJ

SHEET

1 OF 1

REV.

0