

TRIPLE PURPOSE NOZZLE

GUNMETAL, CONVENTIONAL DESIGN



Triple purpose nozzles are combination nozzles, which give the option of hollow jet, protective spray or complete shut-off. Popular in industrial premises as they give the operator control over the discharge. The discharge can be varied by rotating the outer body, and the flow varies as the discharge changes from spray to jet.

Brief Description: AAAG Triple purpose Nozzle, Conventional Design, made of Gunmetal, with option of projecting water in form of hollow jet or full, protective spray, and shall have facility of complete shut-off. Nozzle shall have 63mm Male Instantaneous Inlet, and discharge outlet shall have rubber ring for protection, and fixed teeth for giving good quality spray. H.P tested to 21 kgf/cm² for 2.5 minutes.

1.0 GENERAL DATA

1.1	Make	AAAG
1.2	Model	Triple purpose Nozzle
1.3	Inlet	63mm Instantaneous Male Inlet
1.4	Outlet	Hollow jet, Spray and Shut Off
1.5	Material of Construction	Gun Metal
1.6	Reference	SBJ Drawing (See below)

2.0 MATERIAL OF CONSTRUCTION

2.1	Body	GM - IS: 318 LTB-2
2.2	Nozzle	GM - IS: 318 LTB-2
2.3	Diffuser Valve	GM - IS: 318 LTB-2
2.4	Diffuser Nut	GM - IS: 318 LTB-2

3.0 TESTING AND QUALITY CONTROL

3.1	Dimensional check	As per SBJ Drawing (See below)
3.2	Hydrostatic Pressure Test	21 kgf/cm ² for 2.5minutes
3.3	Performance Requirements	<u>Flow test</u> : Discharge adjustable from wide angle spray to narrow angle spray to hollow jet to complete shut off.
3.4	Documentation	Internal inspection report, supplier's certificates, approved laboratory test certificates

4.0 OPERATIONAL/ TECHNICAL DATA

4.1	Working pressure	5 to 12 Kg/cm ²
4.2	Discharge Pattern	Changeover from wide spray to hollow jet to shut off (clockwise direction) and vice-versa
4.3	Weight (approx.)	2.3 Kgs.

5.0 FINISH

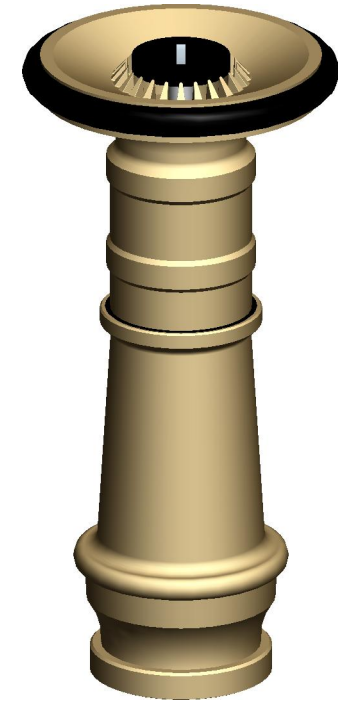
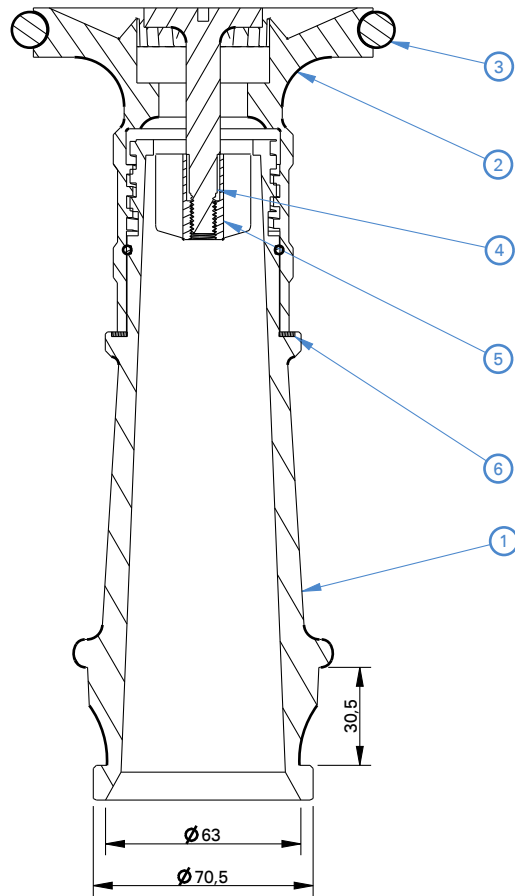
5.1	Nozzle	All parts chromium plated
-----	--------	---------------------------

6.0 APPROVALS & MARKING

6.1	Approvals	--
6.2	Marking on Nozzle	AAAG/ Year of Mfg./ Sl. No

7.0 WARRANTY

7.1	Warranty & Guarantee	12 Months from the date of supply
-----	----------------------	-----------------------------------



HYDRAULIC TEST:

BODY : 21 kgf / cm²
 STD : TOL.± 0.5 mm
 OPEN : TOL.± 1mm

1	BODY	G.M IS:318, LTB-2
2	NOZZLE	G.M IS:318, LTB-2
3	O' RING	NATURAL RUBBER
4	DIFFUSER VALVE	G.M IS:318, LTB-2
5	DIFFUSER NUT	G.M IS:318, LTB-2
6	FLATE RING	NATURAL RUBBER
NO.	DESCRIPTION	MATERIAL
PART LIST		



Shah Bhogilal Jethalal & Bros.

AHMEDABAD

TITLE :

Triple Purpose Nozzle, Gunmetal,
 Conventional Design

SCALE

N.T.S

DRAWING NO:

G116-63CL

SHEET

1 OF 1

REV.

0