

## FOG NOZZLE

SS316, AS PER IS:952



Fog Nozzles give the option to project water in the form of a solid jet or dense, even fog. A handle operated valve can be used to set the discharge to jet, fog or shut-off position. An applicator can be fitted instead of the fog nozzle head for projecting into difficult to reach areas. Especially preferred on ships and marine vessels.

**Brief Description:** AAAG Fog Nozzle, made of Stainless Steel (SS316), with option of projecting water in form of jet or fog, having facility of complete shut-off. Solid jet flow of 400 lpm (min), and fog of 225 lpm (min), fog range approx. 6 mtrs. Inlet is 63mm Male Instantaneous Inlet, with matching fog applicator (optional). H.P. tested to 21 kgf/cm<sup>2</sup> for 2.5 mins.

### 1.0 GENERAL DATA

1.1	Make	AAAG
1.2	Model	Fog Nozzle
1.3	Inlet	63mm Instantaneous Male Inlet
1.4	Outlet	Solid jet or dense even fog.
1.5	Material of Construction	Gun Metal
1.6	Reference	IS: 952

### 2.0 MATERIAL OF CONSTRUCTION

2.1	Body	IS:3444 Gr. IV (SS316)
2.2	Bush	IS:3444 Gr. IV (SS316)
2.3	Handle	IS:3444 Gr. IV (SS316)
2.4	Fog Head	IS:3444 Gr. IV (SS316)
2.5	Male Inst.	IS:3444 Gr. IV (SS316)
2.6	Fog applicator	IS:3444 Gr. IV (SS316)

### 3.0 TESTING AND QUALITY CONTROL

3.1	Dimensional check	As per IS:952 (See Drawing below)
3.2	Hydrostatic Pressure Test	21 kgf/cm <sup>2</sup> for 2.5minutes
3.3	Performance Requirements	<u>Flow test</u> : Discharge adjustable from Solid jet (400 lpm approx) to Fog (225 lpm approx) to complete shut-off. Fog applicator can be fitted instead of fog head.
3.4	Documentation	Internal inspection report, supplier's certificates, approved laboratory test certificates

### 4.0 OPERATIONAL/ TECHNICAL DATA

4.1	Working pressure	5 to 12 Kg/cm <sup>2</sup>
4.2	Discharge Pattern	Solid Jet or Fog or complete shut off (with detents for each position).
4.3	Weight (approx.)	4.3 Kgs.

### 5.0 FINISH

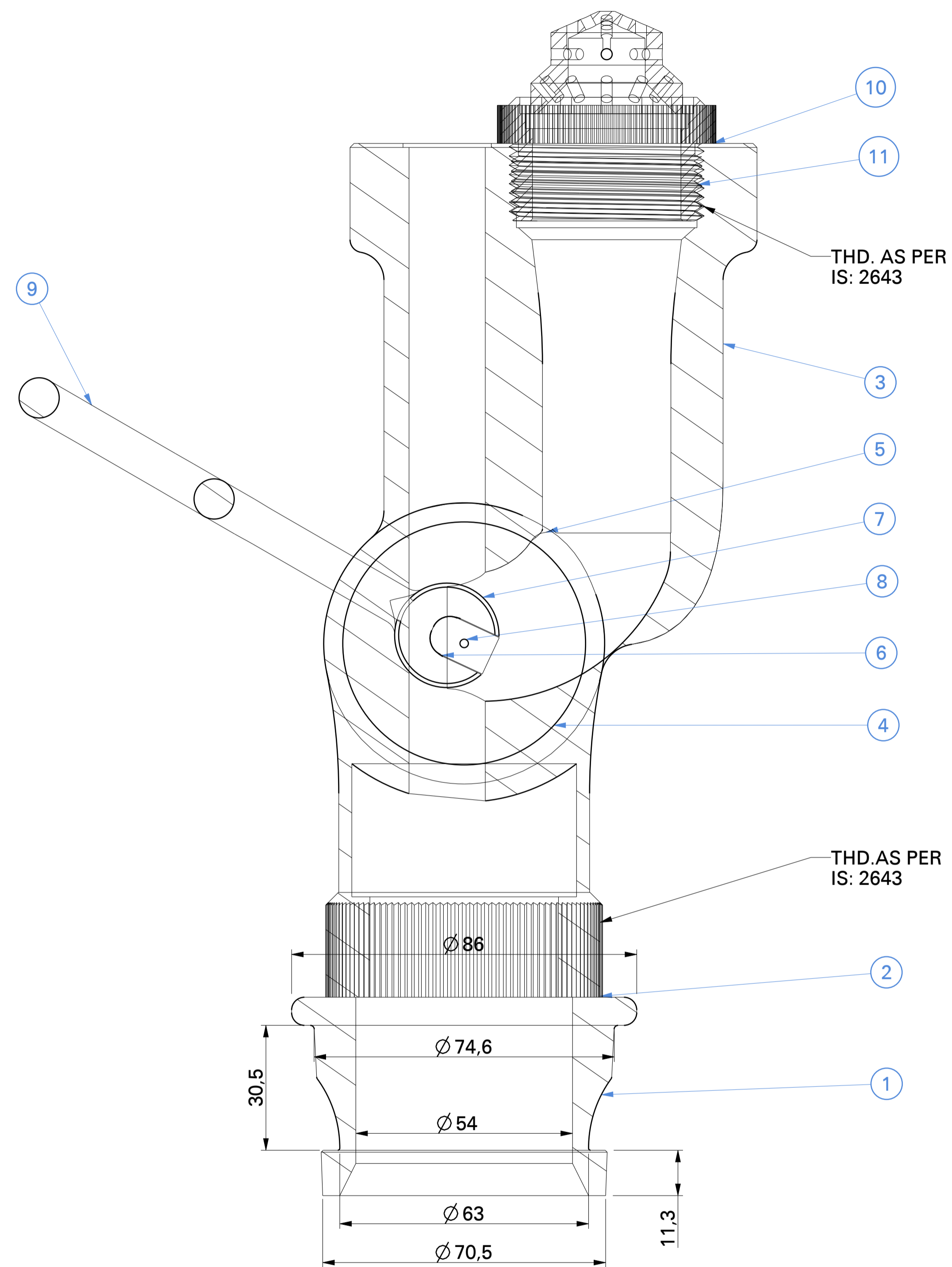
5.1	Nozzle	All parts Natural shining finish
-----	--------	----------------------------------

### 6.0 APPROVALS & MARKING

6.1	Approvals	--
6.2	Marking on Nozzle	AAAG/ Year of Mfg./ Sl. No

### 7.0 WARRANTY

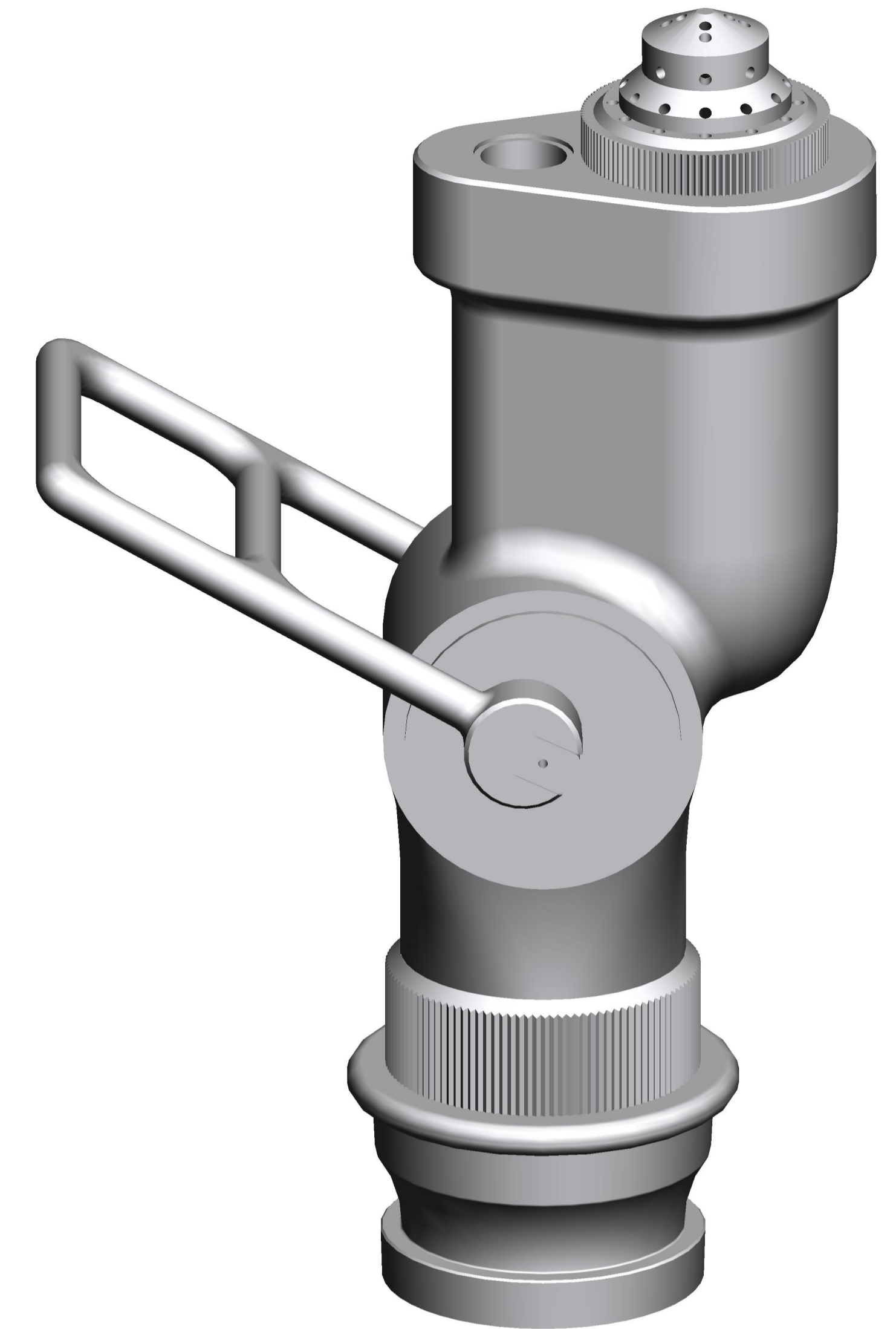
7.1	Warranty & Guarantee	12 Months from the date of supply
-----	----------------------	-----------------------------------



1	MALE INLET	S.S 316 IS:3444. Gr-4
2	O' RING	RUBBER
3	BODY	S.S 316 IS:3444. Gr-4
4	BUSH	S.S 316 IS:3444. Gr-4
5	BUSH COVER	S.S 316 IS:3444. Gr-4
6	O' RING	RUBBER
7	SCREW	M.S HIGH TEN
8	SCREW MACH	M.S HIGH TEN
9	HANDLE	S.S 316 IS:3444. Gr-4
10	WASHER	RUBBER
11	FOG HEAD	S.S 316 IS:3444. Gr-4

NO.	DESCRIPTION	MATERIAL
-----	-------------	----------

**PART LIST**



**HYDROSTATIC PRESSURE TEST :**

Body : 21 kgf/cm2. (FOR 2.5 MIN.)



**Shah Bhogilal Jethalal & Bros.**

AHMEDABAD

**TITLE :**

**Fog Nozzle, SS 316 , As Per IS: 952**

SCALE	DRAWING NO:	SHEET	REV.
N.T.S	SM114-63AS	1 OF 1	0