

FOG NOZZLE

GUNMETAL, AS PER IS:952



Fog Nozzles give the option to project water in the form of a solid jet or dense, even fog. A handle operated valve can be used to set the discharge to jet, fog or shut-off position. An applicator can be fitted instead of the fog nozzle head for projecting into difficult to reach areas. Especially preferred on ships and marine vessels.

Brief Description: AAAG Fog Nozzle, made of Gunmetal, with option of projecting water in form of jet or fog, and shall have facility of complete shut-off. Solid jet flow of 400 lpm (min), and fog of 225 lpm (min), fog range approx. 6 mtrs. Nozzle shall be 63mm Male Instantaneous Inlet, and matching fog applicator (optional). H.P. tested to 21 kgf/cm² for 2.5 minutes.

1.0 GENERAL DATA

1.1	Make	AAAG
1.2	Model	Fog Nozzle
1.3	Inlet	63mm Instantaneous Male Inlet
1.4	Outlet	Solid jet or dense even fog.
1.5	Material of Construction	Gun Metal
1.6	Reference	IS: 952

2.0 MATERIAL OF CONSTRUCTION

2.1	Body	GM - IS: 318 LTB-2
2.2	Bush	GM - IS: 318 LTB-2
2.3	Handle	GM - IS: 318 LTB-2
2.4	Fog Head	GM - IS: 318 LTB-2
2.5	Male Inst.	GM - IS: 318 LTB-2
2.6	Fog applicator	GM - IS: 318 LTB-2 / Copper Pipe

3.0 TESTING AND QUALITY CONTROL

3.1	Dimensional check	As per IS:952 (See Drawing below)
3.2	Hydrostatic Pressure Test	21 kgf/cm ² for 2.5minutes
3.3	Performance Requirements	<u>Flow test</u> : Discharge adjustable from Solid jet (400 lpm approx) to Fog (225 lpm approx) to complete shut-off. Fog applicator can be fitted instead of fog head.
3.4	Documentation	Internal inspection report, supplier's certificates, approved laboratory test certificates

4.0 OPERATIONAL/ TECHNICAL DATA

4.1	Working pressure	5 to 12 Kg/cm ²
4.2	Discharge Pattern	Solid Jet or Fog or complete shut off (with detents for each position).
4.3	Weight (approx.)	4.3 Kgs.

5.0 FINISH

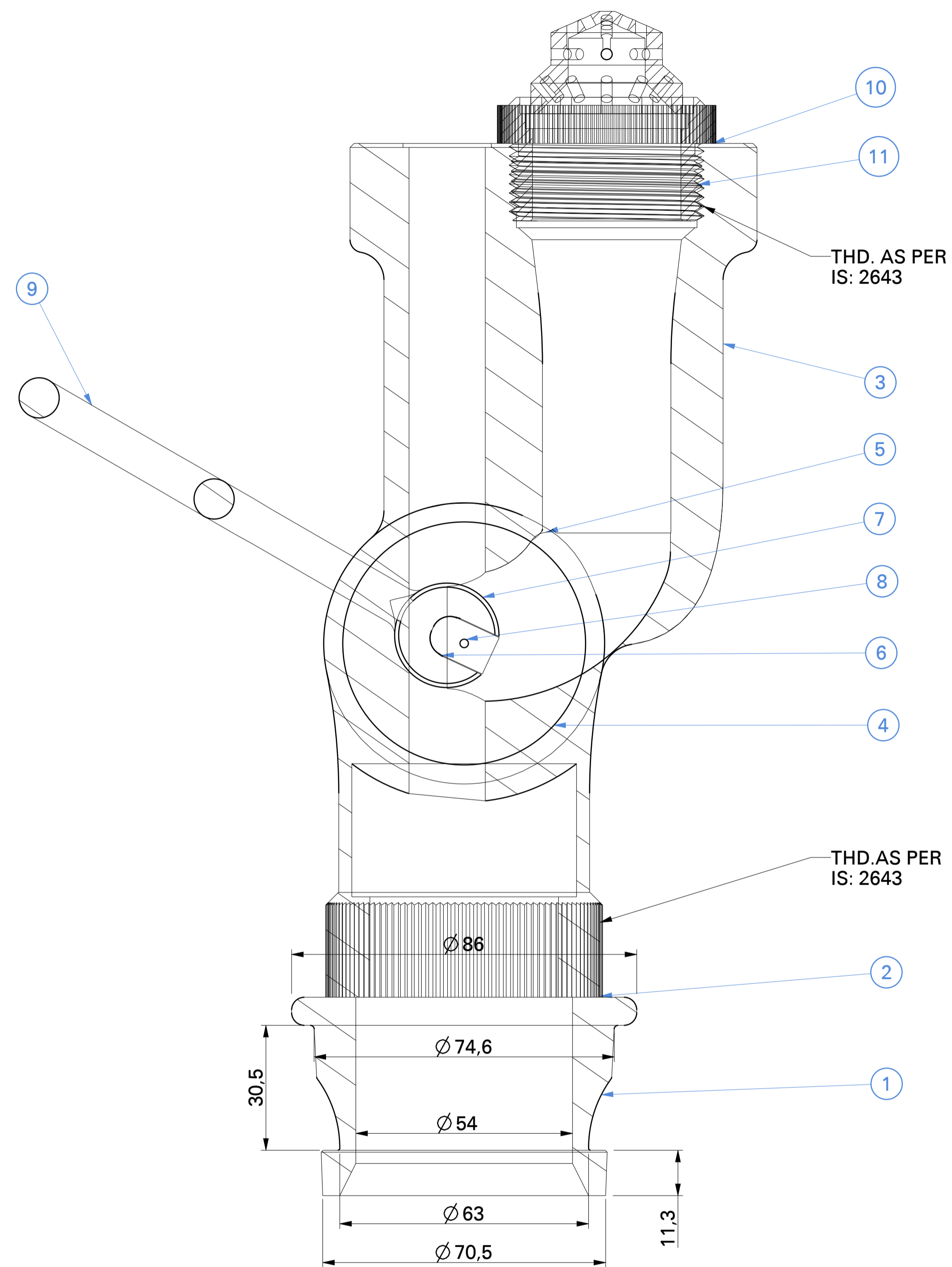
5.1	Nozzle	All parts chromium plated
-----	--------	---------------------------

6.0 APPROVALS & MARKING

6.1	Approvals	--
6.2	Marking on Nozzle	AAAG/ Year of Mfg./ Sl. No

7.0 WARRANTY

7.1	Warranty & Guarantee	12 Months from the date of supply
-----	----------------------	-----------------------------------



1	MALE INLET	G.M IS: 318, LTB-2
2	O' RING	RUBBER
3	BODY	G.M IS: 318, LTB-2
4	BUSH	G.M IS: 318, LTB-2
5	BUSH COVER	G.M IS: 318, LTB-2
6	O' RING	RUBBER
7	SCREW	M.S HIGH TEN
8	SCREW MACH	M.S HIGH TEN
9	HANDLE	G.M IS: 318, LTB-2
10	WASHER	RUBBER
11	FOG HEAD	G.M IS: 318, LTB-2
NO.	DESCRIPTION	MATERIAL
PART LIST		



HYDROSTATIC PRESSURE TEST :

Body : 21 kgf/cm². (FOR 2.5 MIN.)



Shah Bhogilal Jethalal & Bros.

AHMEDABAD

TITLE :

Fog Nozzle, Gunmetal , As Per IS: 952

SCALE	DRAWING NO:	SHEET	REV.
N.T.S	G114-63AS	1 OF 1	0