

HAND CONTROLLED NOZZLE

GUNMETAL, LONDON PATTERN



Hand controlled nozzles (also called London Pattern branches) are multipurpose nozzles. This branch allows the application of a solid jet, as well as protective water spray, both of which can be operated independently. Very useful for fires which give out radiant heat, as the protective spray gives protection to firefighters.

Brief Description : AAAG Hand controlled Nozzle (London Pattern), made of Gunmetal, with 12/16/19/25 mm solid bore nozzle, shut off handle, and having arrangement of wide protective spray, which can be operated independently of the jet.

1.0 GENERAL DATA

1.1	Make	AAAG
1.2	Model	Hand controlled (London Pattern) Nozzle
1.3	Inlet	63mm Instantaneous Male Inlet
1.4	Outlet	Solid Jet (6,12,16,19 or 25 mm) along with protective spray.
1.5	Material of Construction	Gun Metal
1.6	Reference	Drawing (SBJ/)

2.0 MATERIAL OF CONSTRUCTION

2.1	Body	GM - IS: 318 LTB-2
2.2	Handle	GM - IS: 318 LTB-2
2.3	Pipe	GM - IS: 318 LTB-2
2.4	Spray Connector	GM - IS: 318 LTB-2

3.0 TESTING AND QUALITY CONTROL

3.1	Dimensional check	As per SBJ Drawing below
3.2	Hydrostatic Pressure Test	21 kgf/cm ² for 2.5 minutes
3.3	Performance Requirements	<u>Flow test</u> : Solid jet flow as per nozzle fitted, with complete shut off using valve. Spray adjustable independently from shut off to wide protective spray.
3.3	Documentation	Internal inspection report, supplier's certificates, approved laboratory test certificates

4.0 OPERATIONAL/ TECHNICAL DATA

4.1	Working pressure	5 to 12 Kg/cm ²
4.2	Discharge Pattern	Solid Jet and protective spray, simultaneously or independently. Spray adjustable from shut off to full spray in anticlockwise direction
4.3	Weight (approx.)	4.3 Kgs.

5.0 FINISH

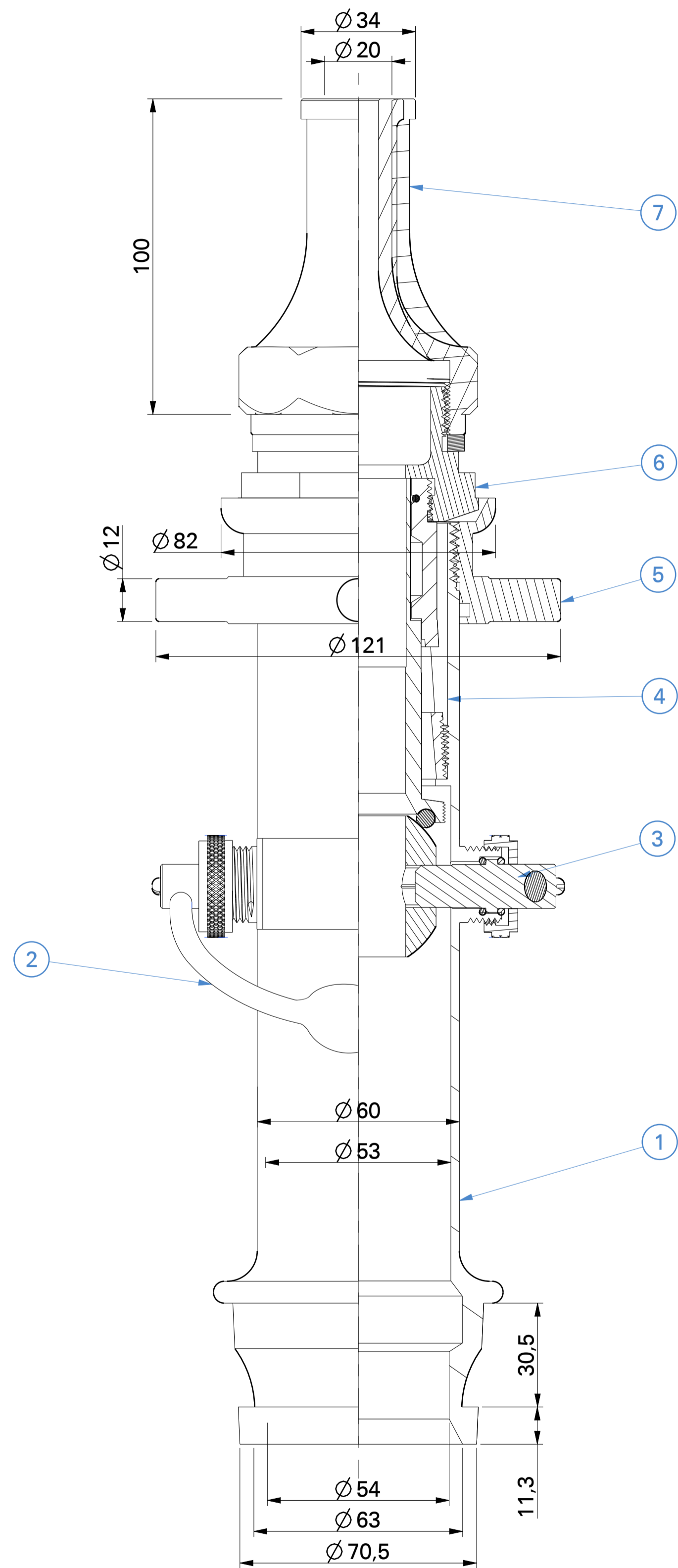
5.1	Nozzle	All parts chromium plated
-----	--------	---------------------------

6.0 APPROVALS & MARKING

6.1	Approvals	--
6.2	Marking on Nozzle	AAAG/ Year of Mfg./ Sl. No

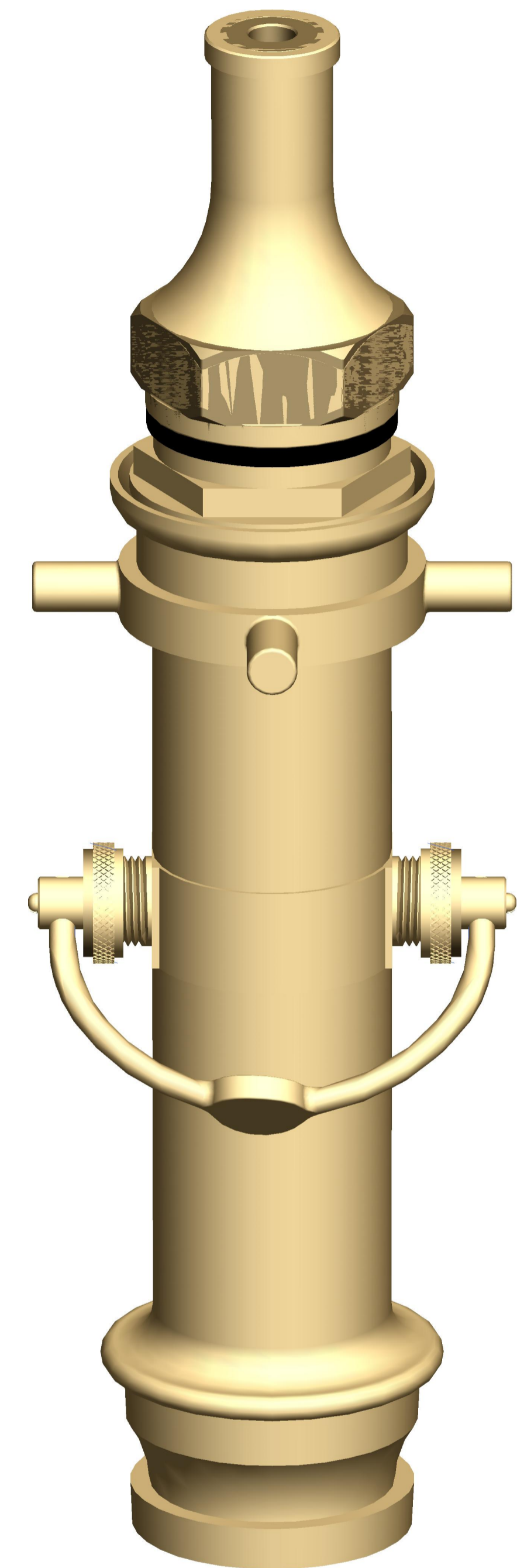
7.0 WARRANTY

7.1	Warranty & Guarantee	12 Months from the date of supply
-----	----------------------	-----------------------------------



1	BODY	G.M IS: 318,LTB-2
2	HANDLE	G.M IS: 318,LTB-2
3	PIN	G.M IS: 318,LTB-2
4	PIPE	G.M IS: 318,LTB-2
5	SPRAY CONNECTOR	G.M IS: 318,LTB-2
6	HEX.CONNECTOR	G.M IS: 318,LTB-2
7	NOZZLE	G.M IS: 318,LTB-2

NO.	DESCRIPTION	MATERIAL
PART LIST		



Shah Bhogilal Jethalal & Bros.

AHMEDABAD

TITLE : Hand Controlled Branch (London Pattern),
Gunmetal

SCALE	DRAWING NO:	SHEET	REV.
N.T.S	G113-63BJ	1 OF 1	0