

# HYDRANT VALVE, DOUBLE OUTLET

STAINLESS STEEL-SS304, AS PER IS:5290



Hydrant valves (also called Landing valves) provide the means to draw water for firefighting from the Fire water piping network. They are normally mounted onto stand posts, fitted on the fire water network.

**Brief Description :** Hydrant Valve (Double headed), as per IS: 5290, made of Stainless Steel (SS304), having 100 mm flanged inlet, and 2 Nos. 63 mm Female Instantaneous outlets, C.I. handwheels for hydrant operation, and PVC blank caps with chain. Body duly painted with 2 coats of superior quality paint. H.P. tested to 21 kgf/cm<sup>2</sup> (body) and 14 kgf/cm<sup>2</sup> (seat). Flow 1800 lpm (min) at 7 kgf/cm<sup>2</sup>.

## 1.0 GENERAL DATA

1.1	Make	AAAG
1.2	Size	63 mm
1.3	Inlet – Flanged	100mm NB IS: 1538 / ANSI B 16.5 150 #
1.4	Outlet - Female Inst.	2 Nos. 63mm Female Inst. Adaptor
1.5	Reference Standard	IS: 5290 TYPE B

## 2.0 MATERIAL OF CONSTRUCTION

2.1	Body, Bonnets, Female outlet and parts	IS: 3444 Gr. I (SS304)
2.2	Spindle	IS: 3444 Gr. I (SS304)
2.3	Spring	Stainless Steel Wire IS: 6258
2.4	Hand Wheel	C.I. IS: 210 FG 200
2.5	Washer	Rubber IS: 937 Type A

## 3.0 TESTING AND QUALITY CONTROL

3.1	Dimensional check	Dimensions as per IS: 5290 Type B (See drawing below)
3.2	Water Tightness Seat Test	14 kgf/cm <sup>2</sup> for 2.5 minutes.
3.3	Hydrostatic Pressure Test	21 kgf/cm <sup>2</sup> for 2.5 minutes.
3.4	Performance requirements	Flow test : 1800 lpm (min) at 7 kg/cm <sup>2</sup> pressure
3.5	Documentation	Internal inspection report, supplier's certificates, approved laboratory test certificates

## 4.0 OPERATIONAL/ TECHNICAL DATA

4.1	Working pressure range	upto 10 Kg/cm <sup>2</sup>
4.2	Weight (approx.)	17.0 Kgs.

## 5.0 FINISH

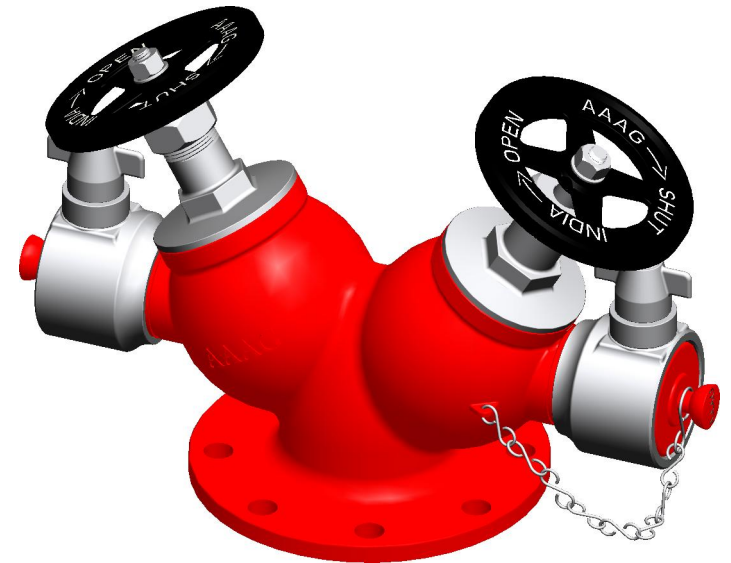
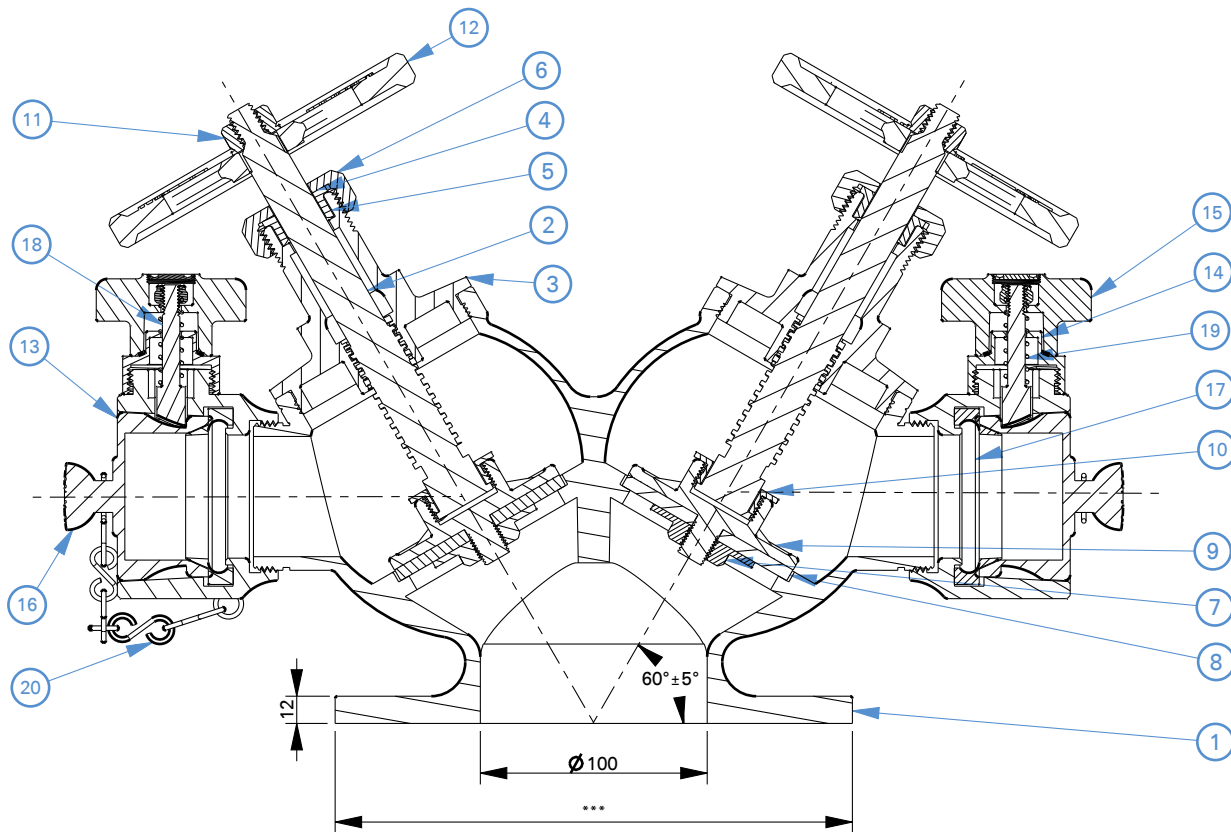
5.1	Body	Painted - Fire Red Color as per IS: 5 Shade No. 536
5.2	Wheel	Painted - Black Paint
5.3	Parts	Polished

## 6.0 APPROVALS & MARKING

6.1	Approvals	--
6.2	Marking on Hydrant valve	BHOJEBROS / Size/ Year of Manufacture/ Sl. No

## 7.0 WARRANTY

7.1	Warranty & Guarantee	12 Months from the date of supply
-----	----------------------	-----------------------------------



**HYDRAULIC TEST :**

SEAT TIGHTNESS : 14KGF/CM2. (FOR 2.5 MINIUTES)  
 BODY : 21KGF/CM2. (FOR 2.5 MINIUTES)  
 FLOW TEST : 1800 LPM MIN @ 7KGF/CM2.

**FLANGE DIMENSIONS**

TABLE	FLANGE Ø	PCD	HOLES	HOLE Ø
IS: 1538	220 mm	180 mm	8	19 mm
ANSI B16.5 150#	228.6 mm	190 mm	8	19 mm

1	BODY	SS. IS:3444 Gr.-1.	11	HEX. NUT	M.S
2	SPINDLE	SS. 304	12	HAND WHEEL	CI. IS:210
3	BONNET	SS. IS:3444 Gr.-1.	13	FEMALE OUTLET	SS. IS:3444 Gr.-1.
4	GLAND BUSH	SS. IS:3444 Gr.-1.	14	LOWER LUG	SS. IS:3444 Gr.-1.
5	GLAND PACKING	ASBESTOSE ROPE	15	UPPER LUG	SS. IS:3444 Gr.-1.
6	GLAND NUT	SS. IS:3444 Gr.-1.	16	BLANK CAP	S.S/P.V.C.
7	CHECK NUT (SPINDLE)	SS. IS:3444 Gr.-1.	17	RUBBER RING	RUBBER IS:937
8	SEAT WASHER	RUBBER IS:937	18	CAM TOOTH	SS. IS:3444 Gr.-1.
9	STOP VALVE	SS. IS:3444 Gr.-1.	19	SPRING	SS.IS:6528
10	SEAT CHECK NUT	SS. IS:3444 Gr.-1.	20	CHAIN	GALVANIZED
<b>NO.</b>	<b>DESCRIPTION</b>	<b>MATERIAL</b>	<b>NO.</b>	<b>DESCRIPTION</b>	<b>MATERIAL</b>
<b>PART LIST</b>			<b>PART LIST</b>		



**Shah Bhogilal Jethalal & Bros.**

AHMEDABAD

**TITLE :** Hydrant Valve, Double Outlet (63 mm),  
 SS 304, As Per IS:5290

SCALE	DRAWING NO:	SHEET	REV.
N.T.S	S101-63AS	1 OF 1	0