

SHORT BRANCH PIPE WITH NOZZLE**SS316, ISI MARKED**

Short Branch Pipe with Nozzle is the most common fire fighting nozzle in use in the country. The nozzle gives a solid jet and different sizes (bore) of nozzles can be fitted to the branch body depending upon operational requirement

Brief Description : AAAG Short Branch Pipe with Nozzle, ISI marked, conforming to IS: 903, made of Stainless Steel (SS316), fitted with 6/12/16/20/25 mm bore nozzle, for projecting water in form of solid jet. The Branch shall have 63mm Male Instantaneous Inlet, suitable for use with 63 mm size Fire fighting hoses. H.P. tested to 21 kgf/cm² for 2.5 minutes.

1.0 GENERAL DATA

1.1	Make	AAAG
1.2	Model	Short Branch Pipe with Nozzle
1.3	Inlet	63mm Instantaneous Male Inlet
1.4	Outlet	6/ 12/ 16/ 20/ 25 mm bore Solid Jet Nozzle
1.5	Material of Construction	Stainless Steel (SS304)
1.6	Reference	IS: 903

2.0 MATERIAL OF CONSTRUCTION

2.1	Branch Pipe	IS:3444, Grade IV
2.2	Nozzle	IS:3444, Grade IV
2.3	Washer	Rubber

3.0 TESTING AND QUALITY CONTROL

3.1	Dimensional check	As per IS:903 (See drawing below)
3.2	Hydrostatic Pressure Test	21 kgf/cm ² for 2.5 minutes
3.3	Documentation	Internal inspection report, supplier's certificates, approved laboratory test certificates

4.0 OPERATIONAL/ TECHNICAL DATA

4.1	Working pressure	Up to 12 Kg/cm ²
4.2	Discharge Pattern	Solid Jet Stream (flow will depend on the size of nozzle)
4.3	Weight (approx.)	1.2 Kgs.

5.0 FINISH

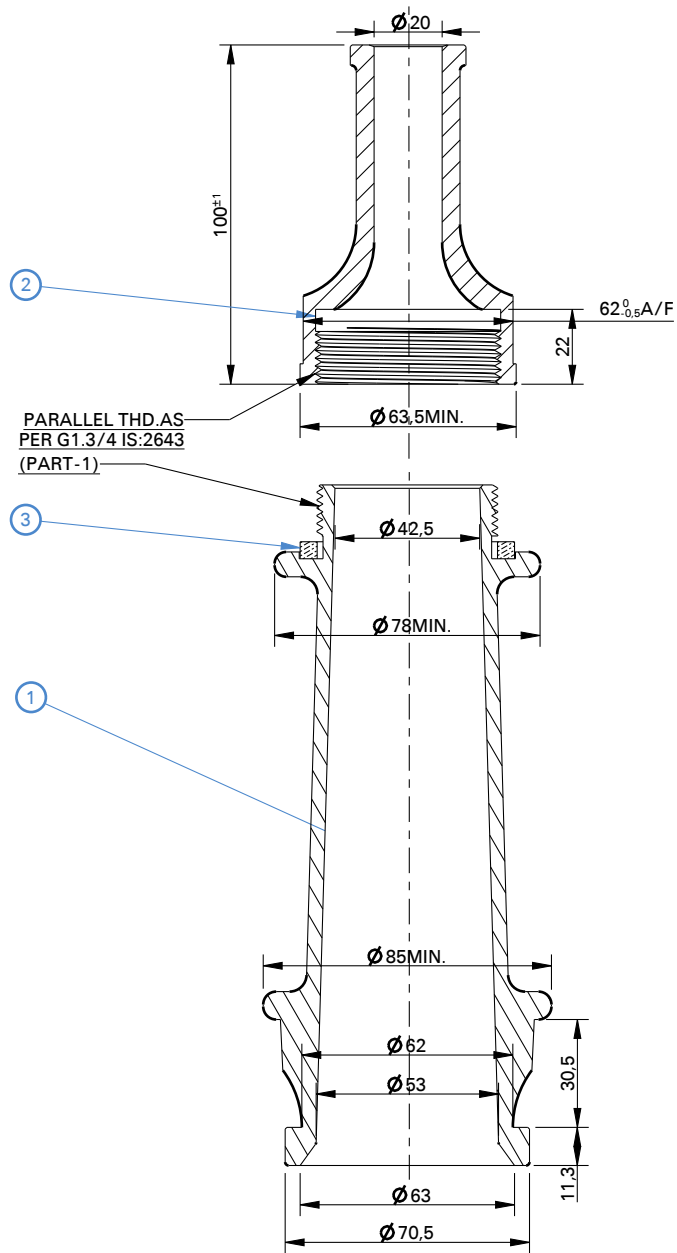
5.1	Nozzle	All parts buffed/polished
-----	--------	---------------------------

6.0 APPROVALS & MARKING

6.1	Approvals	ISI Marked
6.2	Marking on Nozzle	AAAG/ ISI No./ Year of Mfg./ Size of nozzle/ Sl. No

7.0 WARRANTY

7.1	Warranty & Guarantee	12 Months from the date of supply
-----	----------------------	-----------------------------------



HYDRAULIC TEST :

BRANCH PIPE : 21 kgf/cm².

NOZZLE : 21 kgf/cm².

1	BRANCH PIPE	S.S 316 (IS:3444 Gr.4)
2	NOZZLE	S.S 316 (IS:3444 Gr.4)
3	WASHER	RUBBER IS: 937 Type-B
NO.	DESCRIPTION	MATERIAL
PART LIST		



Shah Bhogilal Jethalal & Bros.

AHMEDABAD

TITLE :

Short Branch Pipe With Nozzle,
SS316, ISI Marked

SCALE	DRAWING NO:	SHEET	REV.
N.T.S	SM112-63ISI	1 OF 1	0