

DELIVERY HOSE COUPLING

INSTANTANEOUS TYPE (63mm), Stainless steel (SS 304), ISI MARKED



Delivery Hose Couplings provide the means to connect Fire Hoses to another and to hydrant valves, branches, fittings and adaptors. Instantaneous couplings consist of Male and Female parts, and have a serrated tail portion, on which the hose is mounted and bound with Copper/ G.I. wire.

Brief Description: Delivery Hose Instantaneous Male/ Female couplings, 63 mm size, as per IS: 903, made of Stainless Steel (SS 304) suitable for use with 63 mm Fire fighting delivery Hose, ISI marked.

1.0 GENERAL DATA

1.1	Make	AAAG
1.2	Size	63 mm Instantaneous.
1.3	Inlet size	63mm Shank
1.4	Outlet size	63mm Shank
1.5	Reference Standard	IS: 903

2.0 MATERIAL OF CONSTRUCTION

2.1	Female Coupling	IS: 3444 Gr. I (SS 304)
2.2	Male Coupling	IS: 3444 Gr. I (SS 304)
2.3	Lugs	IS: 3444 Gr. I (SS 304)
2.4	Spring	Stainless Steel Wire IS: 6528
2.5	Washer	Rubber IS: 937 Type A

3.0 TESTING AND QUALITY CONTROL

3.1	Dimensional check	Dimensions as per IS: 903
3.2	Hydrostatic Test Pressure	21 kgf/cm ² (Male & Female Coupling)
3.3	Documentation	Internal inspection report, supplier's certificates, approved laboratory test certificates

4.0 OPERATIONAL/ TECHNICAL DATA

4.1	Working pressure range	5 to 14 Kgf/cm ²
4.2	Weight (approx.)	4.0 Kgs.

5.0 FINISH

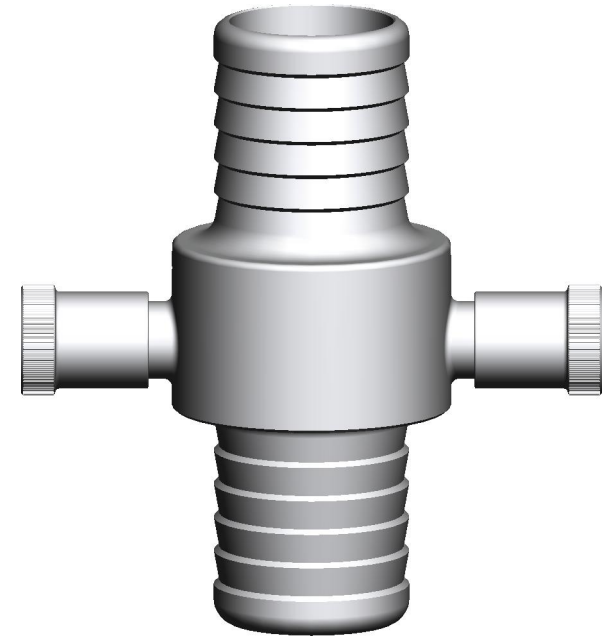
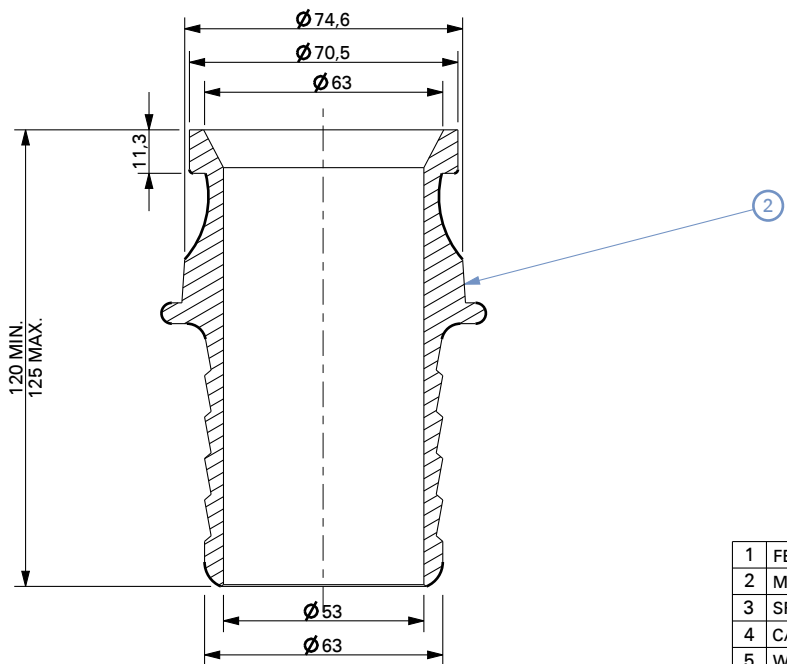
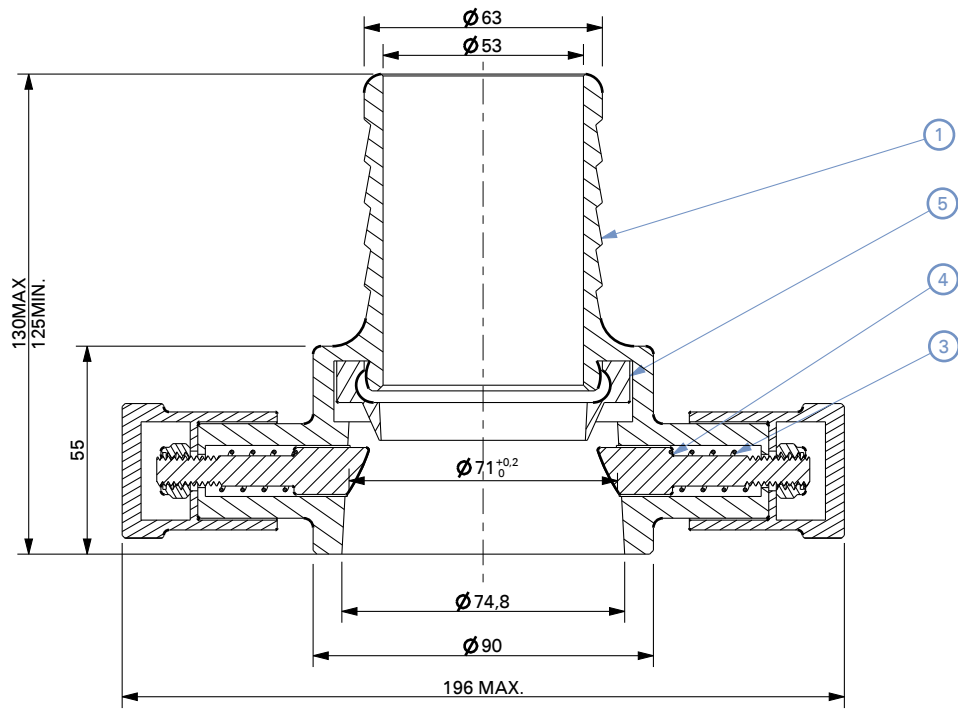
5.1	Male Coupling	Natural Finished.
5.2	Female Coupling	Natural Finished.

6.0 APPROVALS & MARKING

6.1	Approvals	ISI marked (Licence No. 1768269)
6.2	Marking on Hydrant valve	BHOJEBROS / Size/ Year of Manufacture/ ISI Marked/ Sl. No

7.0 WARRANTY

7.1	Warranty & Guarantee	12 Months from the date of supply
-----	----------------------	-----------------------------------



NOTE

HYDRAULIC TEST :

FEMALE COUPLING : 21 kgf/cm².

MALE COUPLING : 21 kgf/cm².

1	FEMALE COUPLING	SS 304 (IS:3444 Gr.1)
2	MALE COUPLING	SS 304 (IS:3444 Gr.1)
3	SPRING	IS:6528
4	CAM TOOTH	SS 304 (IS:3444 Gr.1)
5	WASHER	RUBBER IS:937
NO.	DESCRIPTION	MATERIAL
PART LIST		



Shah Bhogilal Jethalal & Bros.

AHMEDABAD

TITLE :

Delivery Hose Coupling, Instantaneous Type
(63 mm), SS 304, ISI Marked

SCALE

N.T.S

DRAWING NO:

S130-63ISI

SHEET

1 OF 1

REV.

0