

BELT & POUCH (FOR FIREMAN AXE)

LEATHER, CONVENTIONAL



Belt and Pouch for Fireman Axe allows Firefighters to strap the Axe to the body safely and ergonomically. The Belt is adjustable and can be worn on any uniform, while the Pouch allows the axe to be safely strapped without fear of axe falling out or the sharp edge of the axe creating any cutting hazard to the wearer.

Brief Description : AAAG Belt & Pouch (suitable for Fireman Axe, as per IS: 926), made of Leather with Buckle, for wearing/strapping by Firefighters safely and ergonomically.

1.0 GENERAL DATA

1.1	Make	AAAG
1.2	Model	FB
1.3	Size	--
1.4	Reference Standard	--

2.0 MATERIAL OF CONSTRUCTION

2.1	Belt	Leather
2.2	Pouch	Leather

3.0 TESTING AND QUALITY CONTROL

3.1	Dimensional check	--
3.2	Performance Test	--
3.2	Documentation	Internal inspection report, supplier's certificates, approved laboratory test certificates

4.0 OPERATIONAL/ TECHNICAL DATA

4.1	Belt size (approx)	---
4.2	Weight (approx.)	---

5.0 FINISH

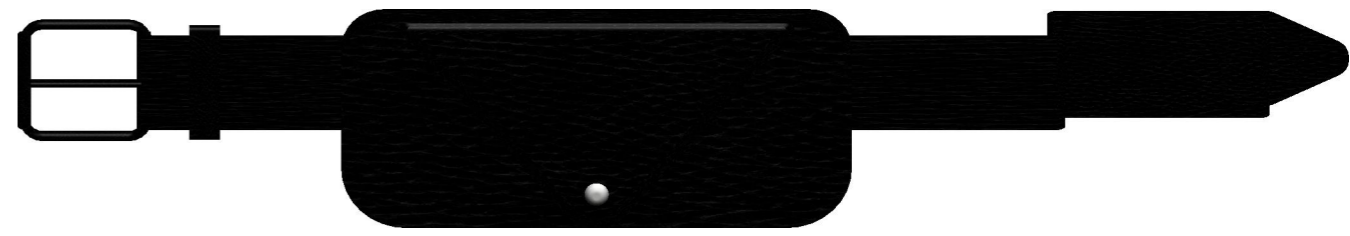
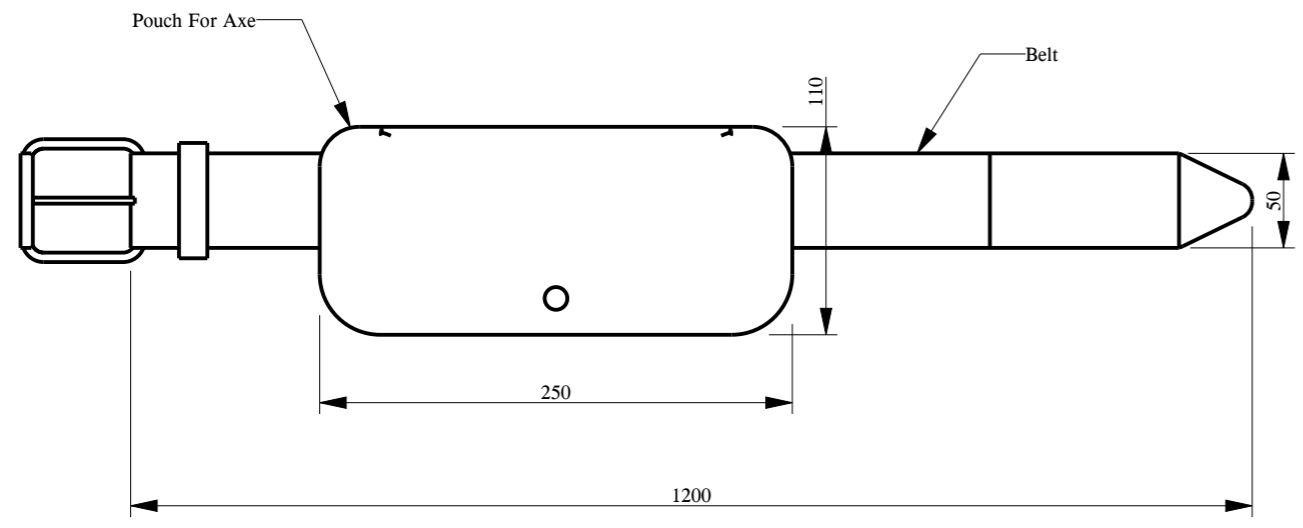
5.1	Belt/Pouch	Natural Polished (Black)
5.2	Buckle	Natural/Chromium plated


6.0 APPROVALS & MARKING

6.1	Approvals	--
6.2	Marking	AAAG/ Year of Mfg./SI No

7.0 WARRANTY

7.1	Warranty & Guarantee	12 Months from the date of supply
-----	----------------------	-----------------------------------



		Shah Bhogilal Jethalal & Bros. AHMEDABAD		
TITLE : Belt & Pouch FOr Axe, Leather, As Per IS:926				
SCALE	DRAWING NO:	SHEET	REV.	
N.T.S	L205-00CL	1 OF 1	0	