

FIRE PUMP DELIVERY VALVE

SS304, 63 mm



Delivery Valve Outlet (for Vehicle/Trailer mounted Fire Pumps) provide the means for connecting fire fighting hoses and drawing pressurized water the pump. These Outlets are fitted with Female Instantaneous adaptors, to which Male coupling of Fire fighting hoses can be quickly attached. A Rising stem connected to wheel allows control over the flow.

Brief Description : AAAG Delivery Valve Outlet, 63 mm size, made of Stainless Steel (SS304), suitable for mounting on Fire Tender Pump/ Fire Trailer Pump manifolds or portable pumps. The Valve Outlet consists of a flap type seat connected to a rising stem and wheel. Outlet is a 2.5" standard Female Instantaneous adaptor.

1.0 GENERAL DATA

1.1	Make	AAAG
1.2	Size	63mm
1.3	Inlet	Flanged (as per standard size – see Drawing below)
1.4	Outlet	Female Instantaneous adaptor, 63mm size
1.5	Material of Construction	Stainless Steel SS304
1.6	Reference	--

2.0 MATERIAL OF CONSTRUCTION

2.1	Body/ Flange	SS304, IS:3444 Gr. I
2.2	Female Coupling	SS304, IS:3444 Gr. I
2.3	Lug	SS304, IS:3444 Gr. I
2.4	Wheel	SS304, IS:3444 Gr. I
2.5	Washer	Rubber

3.0 TESTING AND QUALITY CONTROL

3.1	Dimensional check	See drawing below
3.2	Documentation	Internal inspection report, supplier's certificates, approved laboratory test certificates

4.0 OPERATIONAL/ TECHNICAL DATA

4.1	Working Pressure Range	Upto 12 Kgf/cm ²
4.2	Weight (approx.)	7.5 Kgs. (approx)

5.0 FINISH

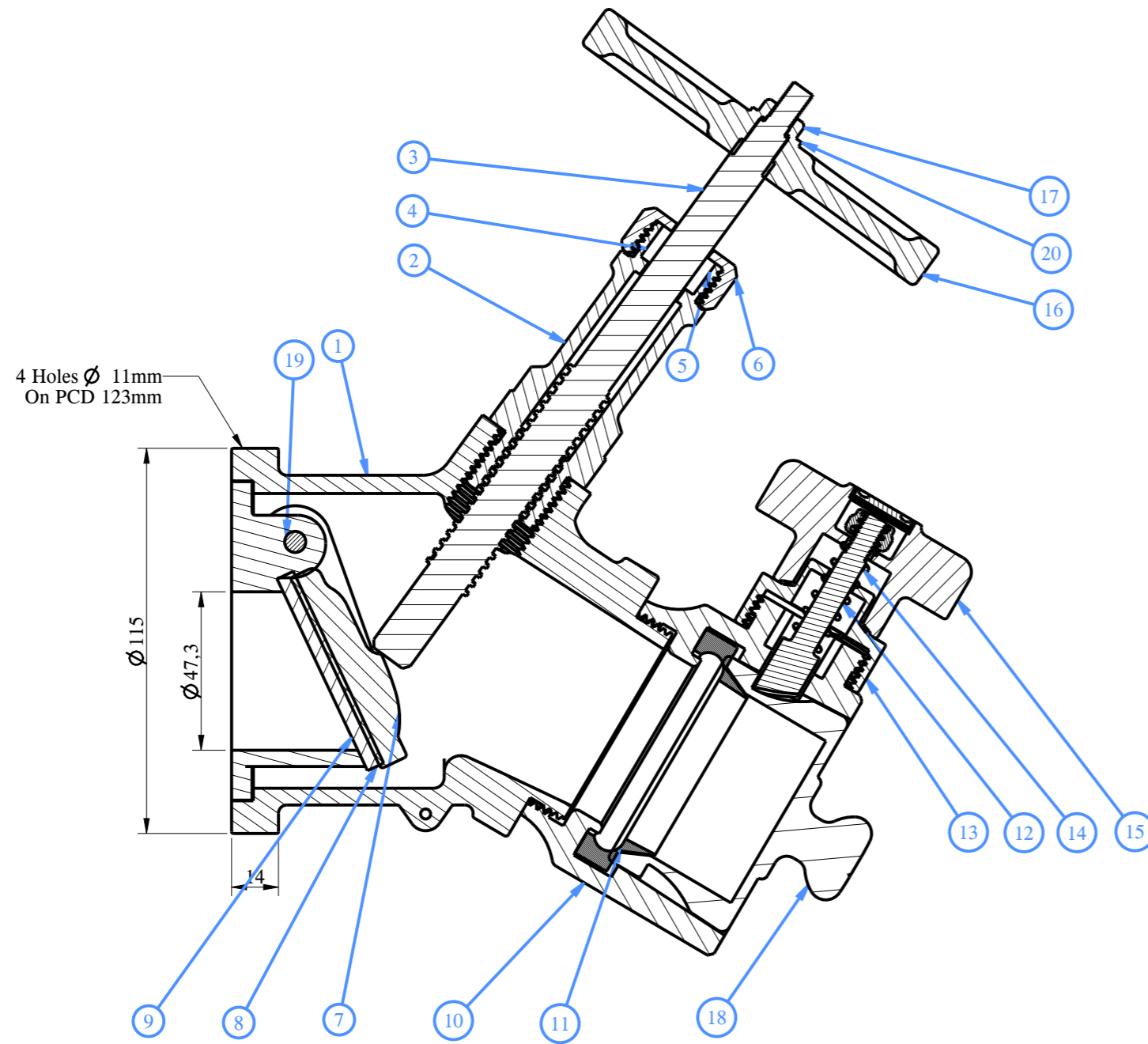
5.1	Body	Painted - Fire Red Color
5.2	Female Coupling	Polished
5.3	Wheel	Polished/Painted

6.0 APPROVALS & MARKING

6.1	Approvals	--
6.2	Marking	AAAG/ Year of Mfg./SI No

7.0 WARRANTY

7.1	Warranty & Guarantee	12 Months from the date of supply
-----	----------------------	-----------------------------------



HYDRAULIC TEST:

BODY :10KGF/CM2. (FOR 2.5 MINIUTES)

1	BODY	S.S 304 IS:3444 Gr-1	11	RUBBER WASHER	RUBBER
2	BONNET	S.S 304 IS:3444 Gr-1	12	CAM TOOTH	S.S 304 IS:3444 Gr-1
3	SPINDLE	SS 304	13	LOWER LUG	S.S 304 IS:3444 Gr-1
4	GLAND PACKING	ASBESTOSE ROPE	14	SPRING	SS 304 IS:6528
5	GLAND BUSH	S.S 304 IS:3444 Gr-1	15	UPPER LUG	S.S 304 IS:3444 Gr-1
6	GLAND NUT	S.S 304 IS:3444 Gr-1	16	HAND WHEEL	ALU. 4450 IS:617
7	STOP VALVE	S.S 304 IS:3444 Gr-1	17	HEX.NUT	M.S
8	SEAT WASHER	RUBBER IS:937	18	BLANK CAP	ABS
9	SEAT CHECK NUT	SS 304	19	STOP VALVE PIN	S.S 304 IS:3444 Gr-1
10	FEMALE OUTLET	S.S 304 IS:3444 Gr-1	20	CHAIN	GALVANIZED
NO.	DESCRIPTION	MATERIAL	NO.	DESCRIPTION	MATERIAL
PART LIST			PART LIST		



Shah Bhogilal Jethalal & Bros.

AHMEDABAD

TITLE :

Delivery Valve For Vehicle Pump, 63 mm,
SS 304, Conventional Design

SCALE	DRAWING NO:	SHEET	REV.
N.T.S	S202-63BJ	1 OF 1	0