

FIRE PUMP DELIVERY VALVE

ALUMINIUM, 63 mm



Delivery Valve Outlet (for Vehicle/Trailer mounted Fire Pumps) provide the means for connecting fire fighting hoses and drawing pressurized water the pump. These Outlets are fitted with Female Instantaneous adaptors, to which Male coupling of Fire fighting hoses can be quickly attached. A Rising stem connected to wheel allows control over the flow.

Brief Description : AAAG Delivery Valve Outlet, 63 mm size, made of Aluminium, suitable for mounting on Fire Tender Pump/ Fire Trailer Pump manifolds or portable pumps. The Valve Outlet consists of a flap type seat connected to a rising stem and wheel. Outlet is a 2.5" standard Female Instantaneous adaptor.

1.0 GENERAL DATA

1.1	Make	AAAG
1.2	Size	63mm
1.3	Inlet	Flanged (as per standard size – see Drawing below)
1.4	Outlet	Female Instantaneous adaptor, 63mm size
1.5	Material of Construction	Aluminium
1.6	Reference	SBJ Drawing (See below)

2.0 MATERIAL OF CONSTRUCTION

2.1	Body/ Flange	Aluminium, 4450 IS:617
2.2	Female Coupling	Aluminium, 4450 IS:617
2.3	Lug	Aluminium, 4450 IS:617
2.4	Wheel	Aluminium, 4450 IS:617
2.5	Washer	Rubber

3.0 TESTING AND QUALITY CONTROL

3.1	Dimensional check	See drawing below
3.2	Documentation	Internal inspection report, supplier's certificates, approved laboratory test certificates

4.0 OPERATIONAL/ TECHNICAL DATA

4.1	Working Pressure Range	Upto 12 Kgf/cm ²
4.2	Weight (approx.)	4.5 Kgs. (approx)

5.0 FINISH

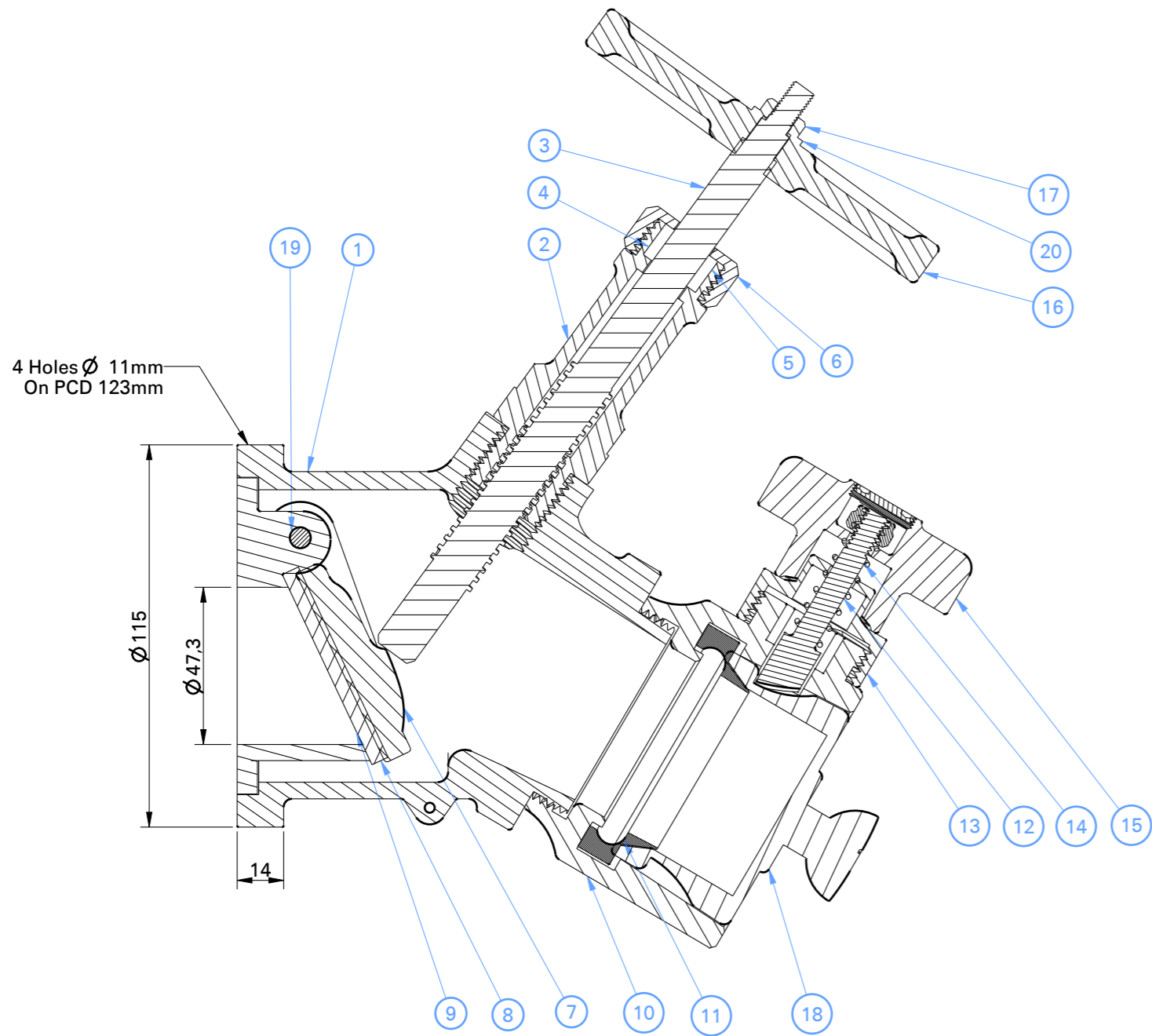
5.1	Body	Painted - Fire Red Color
5.2	Female Coupling	Polished
5.3	Wheel	Polished

6.0 APPROVALS & MARKING

6.1	Approvals	--
6.2	Marking	AAAG/ Year of Mfg./SI No

7.0 WARRANTY

7.1	Warranty & Guarantee	12 Months from the date of supply
-----	----------------------	-----------------------------------



HYDRAULIC TEST:

BODY :10KGF/CM2. (FOR 2.5 MINIUTES)

1	BODY	ALU. 4450 IS:617	11	RUBBER WASHER	RUBBER
2	BONNET	ALU. 4450 IS:617	12	CAM TOOTH	ALU. 4450 IS:617
3	SPINDLE	SS 304	13	LOWER LUG	ALU. 4450 IS:617
4	GLAND PACKING	ASBESTOSE ROPE	14	SPRING	SS 304 IS:6528
5	GLAND BUSH	ALU. 4450 IS:617	15	UPPER LUG	ALU. 4450 IS:617
6	GLAND NUT	ALU. 4450 IS:617	16	HAND WHEEL	ALU. 4450 IS:617
7	STOP VALVE	ALU. 4450 IS:617	17	HEX.NUT	M.S
8	SEAT WASHER	RUBBER IS:937	18	BLANK CAP	ABS
9	SEAT CHECK NUT	SS 304	19	STOP VALVE PIN	ALU. 4450 IS:617
10	FEMALE OUTLET	ALU. 4450 IS:617	20	CHAIN	GALVANIZED
NO.	DESCRIPTION	MATERIAL	NO.	DESCRIPTION	MATERIAL
PART LIST			PART LIST		



Shah Bhogilal Jethalal & Bros.

AHMEDABAD

TITLE :

Delivery Valve For Vehicle Pump, 63 mm,
Aluminium, Conventional Design

SCALE

N.T.S

DRAWING NO:

A202-63BJ

SHEET

1 OF 1

REV.

0