

FIRE PUMP DELIVERY VALVE

GUNMETAL, 63 mm



Delivery Valve Outlet (for Vehicle/Trailer mounted Fire Pumps) provide the means for connecting fire fighting hoses and drawing pressurized water the pump. These Outlets are fitted with Female Instantaneous adaptors, to which Male coupling of Fire fighting hoses can be quickly attached. A Rising stem connected to wheel allows control over the flow.

Brief Description : AAAG Delivery Valve Outlet, 63 mm size, suitable for mounting on Fire Tender Pump/ Fire Trailer Pump manifolds or portable pumps. The Valve Outlet consists of a flap type seat connected to a rising stem and wheel. Outlet is a 2.5" standard Female Instantaneous adaptor.

1.0 GENERAL DATA

1.1	Make	AAAG
1.2	Size	63mm
1.3	Inlet	Flanged (as per standard size – see Drawing below)
1.4	Outlet	Female Instantaneous adaptor, 63mm size
1.5	Material of Construction	Gunmetal
1.6	Reference	--

2.0 MATERIAL OF CONSTRUCTION

2.1	Body/ Flange	Gunmetal - IS: 318 LTB-2
2.2	Female Coupling	Gunmetal - IS: 318 LTB-2
2.3	Lug	Gunmetal - IS: 318 LTB-2
2.4	Wheel	Gunmetal - IS: 318 LTB-2
2.5	Washer	Rubber

3.0 TESTING AND QUALITY CONTROL

3.1	Dimensional check	See drawing below
3.2	Documentation	Internal inspection report, supplier's certificates, approved laboratory test certificates

4.0 OPERATIONAL/ TECHNICAL DATA

4.1	Working Pressure Range	Upto 12 Kgf/cm ²
4.2	Weight (approx.)	8.0 Kgs. (approx)

5.0 FINISH

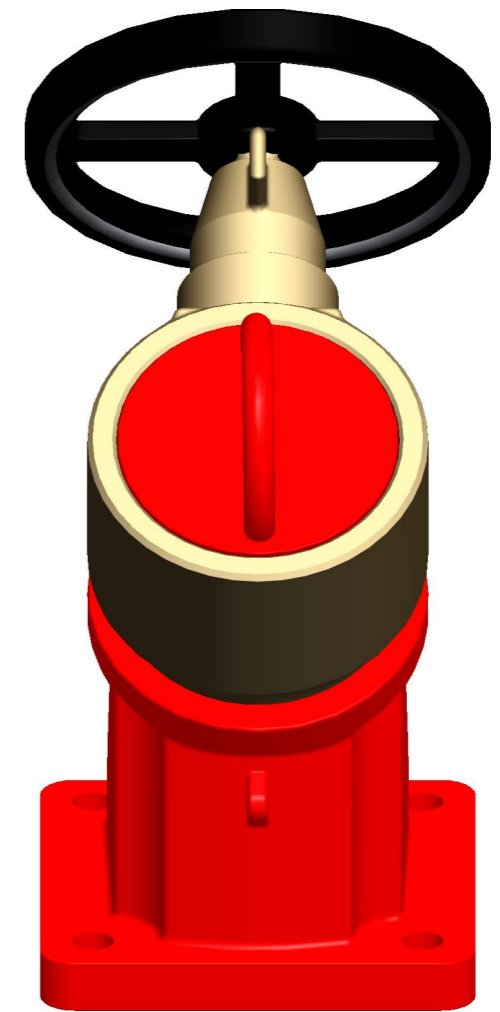
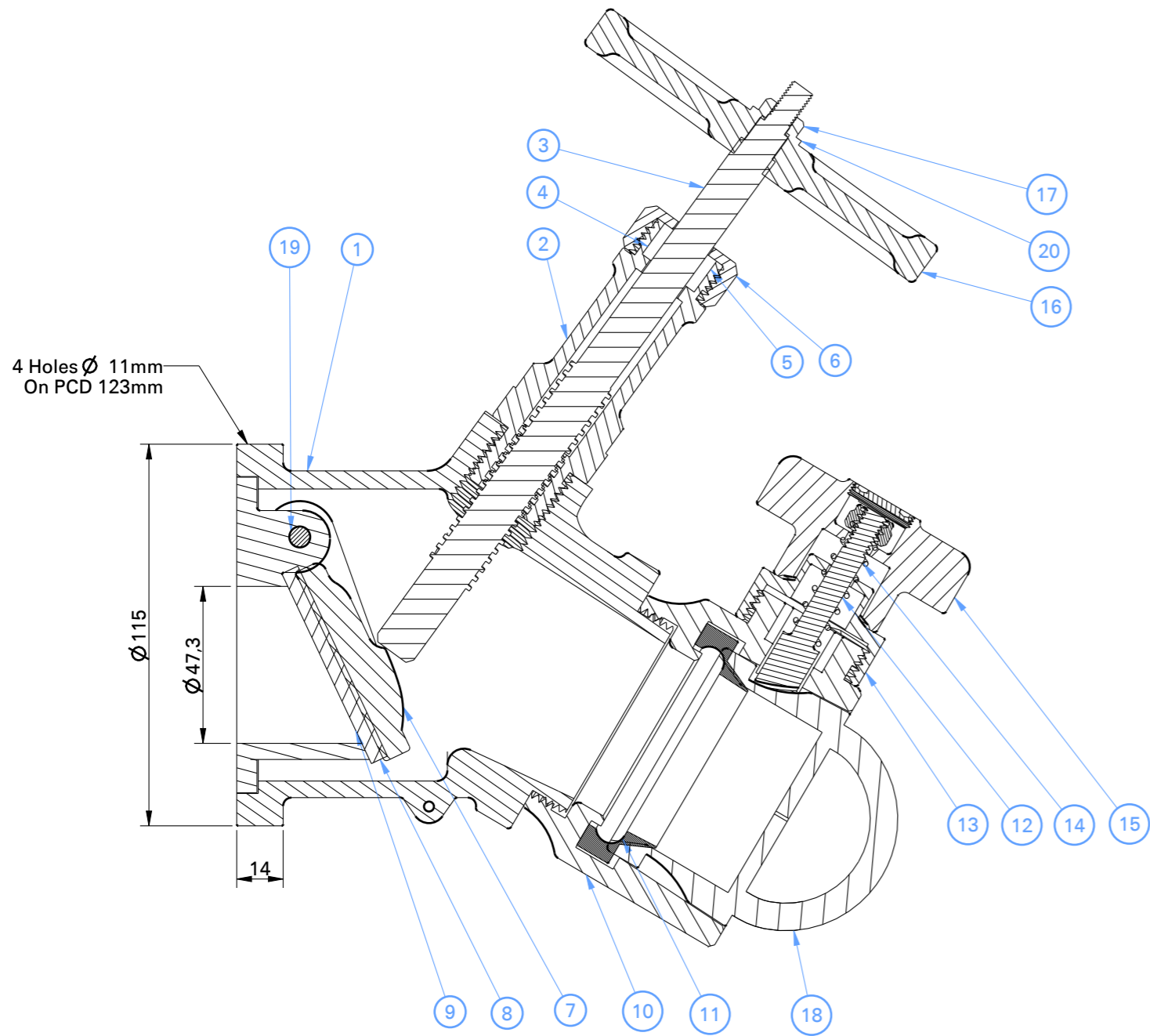
5.1	Body	Painted - Fire Red Color
5.2	Female Coupling	Polished
5.3	Wheel	Polished/Painted

6.0 APPROVALS & MARKING

6.1	Approvals	--
6.2	Marking	AAAG/ Year of Mfg./SI No

7.0 WARRANTY

7.1	Warranty & Guarantee	12 Months from the date of supply
-----	----------------------	-----------------------------------



HYDRAULIC TEST:

BODY :10KGF/CM2. (FOR 2.5 MINIUTES)

1	BODY	GM IS:318 LTB 2	11	RUBBER WASHER	RUBBER
2	BONNET	GM IS:318 LTB 2	12	CAM TOOTH	GM IS:318 LTB 2
3	SPINDLE	BRASS IS:319	13	LOWER LUG	GM IS:318 LTB 2
4	GLAND PACKING	ASBESTOSE ROPE	14	SPRING	P.B WIRE IS:7608
5	GLAND BUSH	GM IS:318 LTB 2	15	UPPER LUG	GM IS:318 LTB 2
6	GLAND NUT	GM IS:318 LTB 2	16	HAND WHEEL	GM IS:318 LTB 2
7	STOP VALVE	GM IS:318 LTB 2	17	HEX.NUT	M.S
8	SEAT WASHER	RUBBER IS:937	18	BLANK CAP	ABS
9	SEAT CHECK NUT	GM IS:318 LTB 2	19	STOP VALVE PIN	BRASS
10	FEMALE OUTLET	GM IS:318 LTB 2	20	CHAIN	GALVANIZED
NO.	DESCRIPTION	MATERIAL	NO.	DESCRIPTION	MATERIAL
PART LIST			PART LIST		



Shah Bhogilal Jethalal & Bros.

AHMEDABAD

TITLE :

Delivery Valve For Vehicle Pump, 63 mm,
Gunmetal, Conventional Design

SCALE

N.T.S

DRAWING NO:

G202-63BJ

SHEET

1 OF 1

REV.

0