

# HYDRANT STAND POST (SINGLE)

CARBON STEEL, 75 MM



Hydrant Stand posts provide the means to connect Hydrant (Landing) valves onto the fire water mains. Hydrant Stand Posts are fitted using welded/ flanged joints onto the fire water main horizontal pipes, while the Hydrant valves are fitted onto outlet flanges of the same.

**Brief Description :** AAAG Hydrant Stand Post (Single), constructed of Carbon (Mild) Steel, nominal pipe size 75 mm, having 80 mm flanged inlet and outlet (ANSI B 16.5 150# or other), suitable for mounting standard 63 mm size Hydrant (Landing) valve.

## 1.0 GENERAL DATA

1.1	Make	AAAG
1.2	Model	--
1.3	Inlet	80 NB Flange (ANSI 16.5 150#)
1.4	Outlet	80 NB Flange (ANSI 16.5 150#)
1.5	Material of Construction	Carbon Steel
1.6	Reference	SBJ Drawing (See below)

## 2.0 MATERIAL OF CONSTRUCTION

2.1	Pipe/Bends	M.S. ERW Pipe IS:1239 Part 2
2.2	Inlet/ Outlet Flanges	Carbon Steel, IS:2062 /IS:2004 (ASTM A 105)

## 3.0 TESTING AND QUALITY CONTROL

3.1	Dimensional check	See Drawing below
3.2	Operational test	H.P. tested to 23 kgf/cm <sup>2</sup> for 5 min.
3.3	Documentation	Internal inspection report, supplier's certificates, approved laboratory test certificates

## 4.0 OPERATIONAL/ TECHNICAL DATA

4.1	Working pressure	3.5 to 14 Kg/cm <sup>2</sup>
4.2	Height (Approx.)	700 mm (Or As Specified)
4.2	Weight (Approx.)	---

## 5.0 FINISH

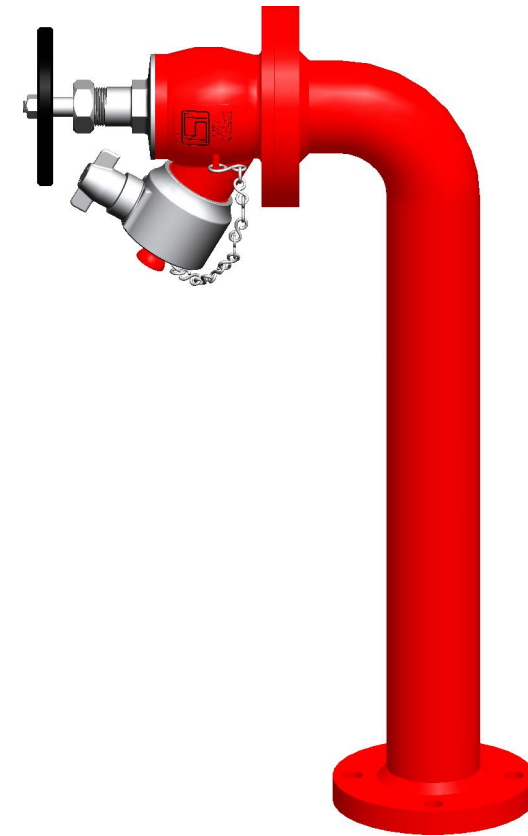
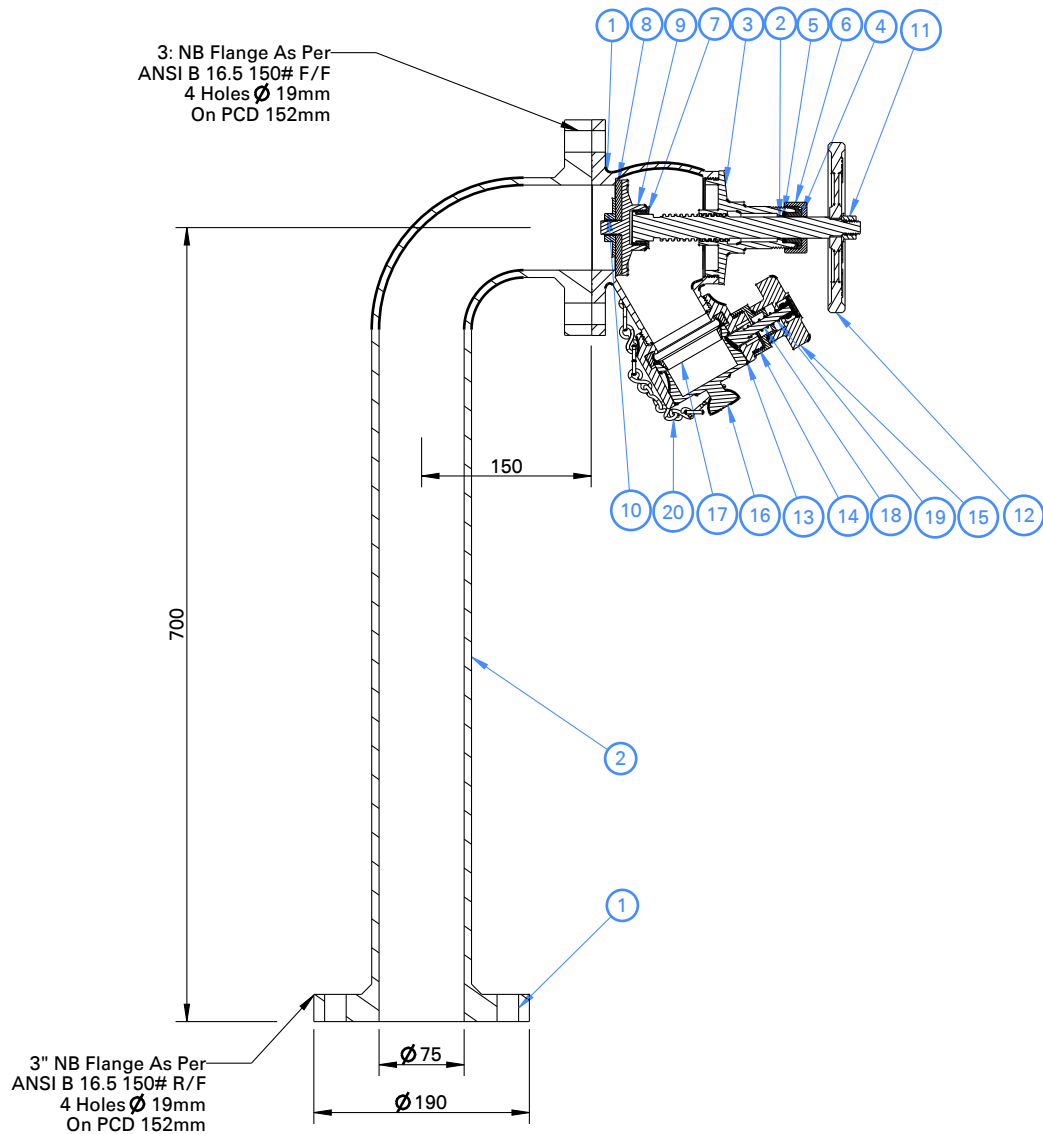
5.1	Stand Post	Painted outside with one coat of primer & 2 coat Fire Red Color IS: 5 Shade No 536, inside with zinc chromate paint
-----	------------	---

## 6.0 APPROVALS & MARKING

6.1	Approvals	--
6.2	Marking	AAAG/ Year of Mfg./ Sl. No

## 7.0 WARRANTY

7.1	Warranty & Guarantee	12 Months from the date of supply
-----	----------------------	-----------------------------------



**NOTES :**

- 1 : The Valve Top Except Face Of The Flange And Inst. Outlet Shall Be Painted Fire Red Of Shade No. 536 Of IS: 5. The Outside Of Instantaneous Outlet Shall Be Highly Polished The Hand Wheel Shall Be Painted Black Paints Shall Confirm To IS: 2932.
- 2 : Water Tightness Test For The Valve : 18 KGF/CM2. (For 2.5 Min.)
- 3 : Hydrostatic Pressure Test : 23 KGF/CM2. (For 2.5 Min.)
- 4 : Flow Test : 900 LPM Min. @ 7 KGF/CM2. (For Single Outlet)

1	Body	SS 304 IS: 3444 Gr.1	12	Hand Wheel	C.I IS: 210
2	Spindle	SS 304	13	Female Outlet	SS 304 IS: 3444 Gr.1
3	Bonnet	SS 304 IS: 3444 Gr.1	14	Lower Lug	SS 304 IS: 3444 Gr.1
4	Gland Bush	SS 304 IS: 3444 Gr.1	15	Upper Lug	SS 304 IS: 3444 Gr.1
5	Gland Packing	Asbestose Rope	16	Blank Cap	ABS
6	Gland Nut	SS 304 IS: 3444 Gr.1	17	Rubber Ring	Rubber IS: 937
7	Check Nut (Spindle)	SS 304 IS: 3444 Gr.1	18	Cam Tooth	SS 304 IS: 3444 Gr.1
8	Seat Washer	Rubber IS: 937	19	Spring	IS: 6528
9	Stop Valve	SS 304 IS: 3444 Gr.1	20	Chain	Galvanized
10	Seat Check Nut	SS 304 IS: 3444 Gr.1	21	Flange	M.S IS: 2062
11	Hex. Nut	M.s	22	Pipe	IS: 1239 Heavy Gr.
<b>NO.</b>	<b>DESCRIPTION</b>	<b>MATERIAL</b>	<b>NO.</b>	<b>DESCRIPTION</b>	<b>MATERIAL</b>
<b>PART LIST</b>			<b>PART LIST</b>		



**Shah Bhogilal Jethalal & Bros.**

AHMEDABAD

**TITLE :**

Hydrant Stand Post, Single Outlet,  
75 mm, Mild (Carbon) Steel

**SCALE**

N.T.S

**DRAWING NO:**

M193-75BJ

**SHEET**

1 OF 1

**REV.**

0