

HYDRANT KEY WITH BAR

CAST STEEL, AS PER IS:910



Hydrant Key with bar is used to operate underground hydrants. The combined key can be used for opening the hydrant cover, as well as operation of the hydrant valve.

Brief Description : AAAG Hydrant Key, made of Cast Steel, as per IS:910, nominal length 1000 mm (min), complete with bar for operating the key. The key shall match the underground valve spindle, and the bar shall insert into the key to allow easy operation of the hydrant. Key with bar shall be duly painted with 2 coats of anti corrosive Black paint.

1.0 GENERAL DATA

1.1	Make	AAAG
1.2	Model	Hydrant key with bar
1.3	Key Slot	Matching to Hydrant spindle
1.4	Material of Construction	Cast Steel
1.5	Reference	IS:910

2.0 MATERIAL OF CONSTRUCTION

2.1	Body	Cast Steel, IS:1030-1982
2.2	Pipe	Carbon Steel, IS:1239 (Part 1)-1979

3.0 TESTING AND QUALITY CONTROL

3.1	Dimensional check	As per IS:910 (See Drawing Below)
3.2	Performance Requirements	--
3.3	Documentation	Internal inspection report, supplier's certificates, approved laboratory test certificates

4.0 OPERATIONAL/ TECHNICAL DATA

4.1	Working pressure	--
4.2	Weight (Approx.)	--

5.0 FINISH

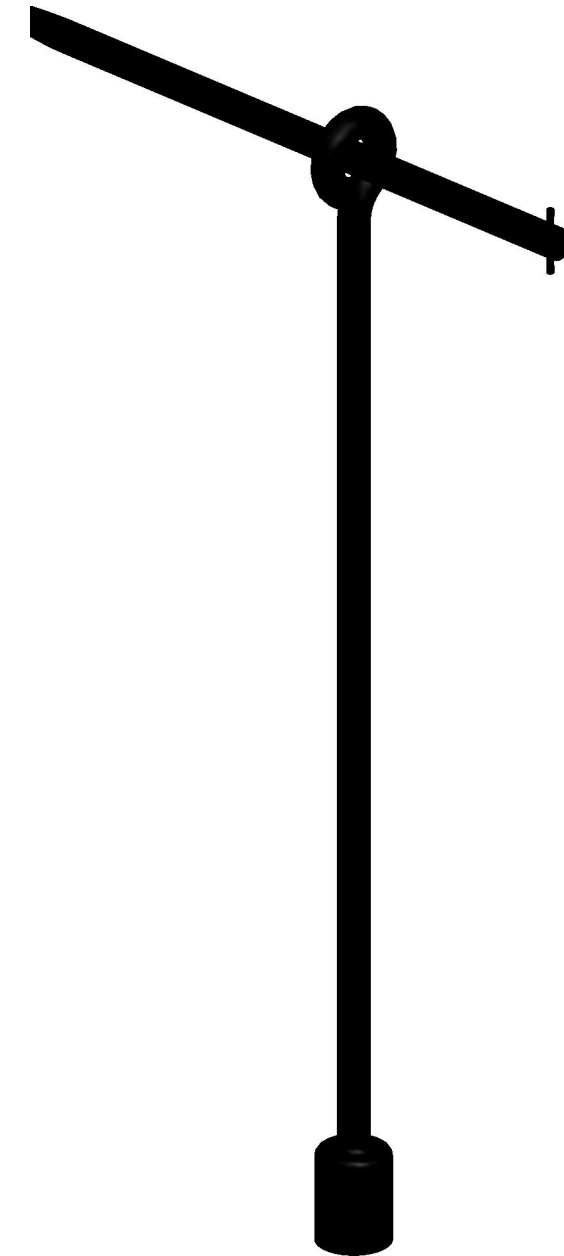
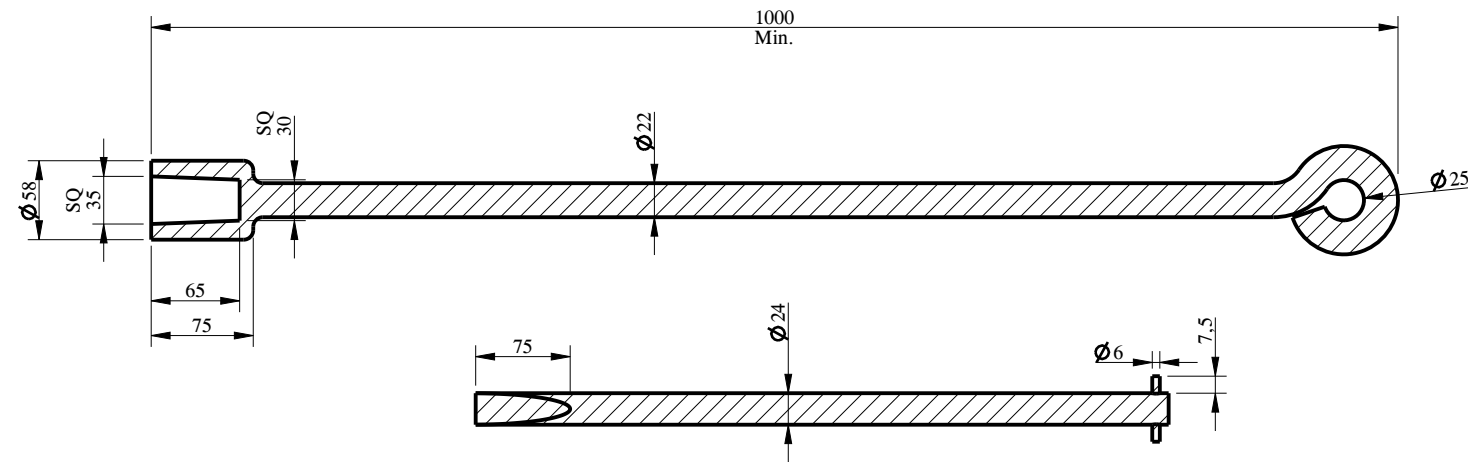
5.1	Hydrant Key & Bar	Painted – 2 coats of anti-corrosive Black Paint
-----	-------------------	---

6.0 APPROVALS & MARKING

6.1	Approvals	--
6.2	Marking on Nozzle	AAAG/ Year of Mfg / Sl. No

7.0 WARRANTY

7.1	Warranty & Guarantee	12 Months from the date of supply
-----	----------------------	-----------------------------------



Shah Bhogilal Jethalal & Bros.

AHMEDABAD

TITLE :

Hydrant Key With Bar,
Cast Steel, As Per IS:910

SCALE

DRAWING NO:

SHEET

REV.

N.T.S

M200A-00AS

1 OF 1

0