

HYDRANT STANDPIPE (SINGLE OUTLET) ALUMINIUM, AS PER IS:5714



Standpipes provide the means to draw water from Underground Hydrants, in areas where above ground hydrant system is not possible or advisable, eg. airfields. Standpipes can be quickly fitted onto the hydrant valve outlets, and hoses can then be connected to pumps for drawing water for firefighting.

Brief Description : AAAG Standpipe (Single Outlet), as per IS:5714, made of Aluminium, having 63 mm Female Round Threaded Inlet, and having swivel type single headed outlet, with 63 mm female instantaneous coupling with twist release lug. Accessories include Hydrant key and bar for operation of hydrant (optional).

1.0 GENERAL DATA

1.1	Make	AAAG
1.2	Model	Standpipe (Single)
1.3	Inlet	63 mm Female Round Thread
1.4	Outlet	1 Nos. 63 mm Female Instantaneous
1.5	Material of Construction	Aluminium
1.6	Reference	IS:5714

2.0 MATERIAL OF CONSTRUCTION

2.1	Body	Aluminium, 4450 IS:617
2.2	Pipe	Aluminium, IS:737
2.3	Blank cap	Aluminium 4450 IS:617
2.4	Washer	Rubber, IS:5382

3.0 TESTING AND QUALITY CONTROL

3.1	Dimensional check	As per IS:5714 (See Drawing Below)
3.2	Performance Requirements	Hydrostatic Pressure test: 21 kgf/cm ² for 2.5 minutes
3.3	Documentation	Internal inspection report, supplier's certificates, approved laboratory test certificates

4.0 OPERATIONAL/ TECHNICAL DATA

4.1	Working pressure	Upto 12 Kg/cm ²
4.2	Weight (Approx.)	---

5.0 FINISH

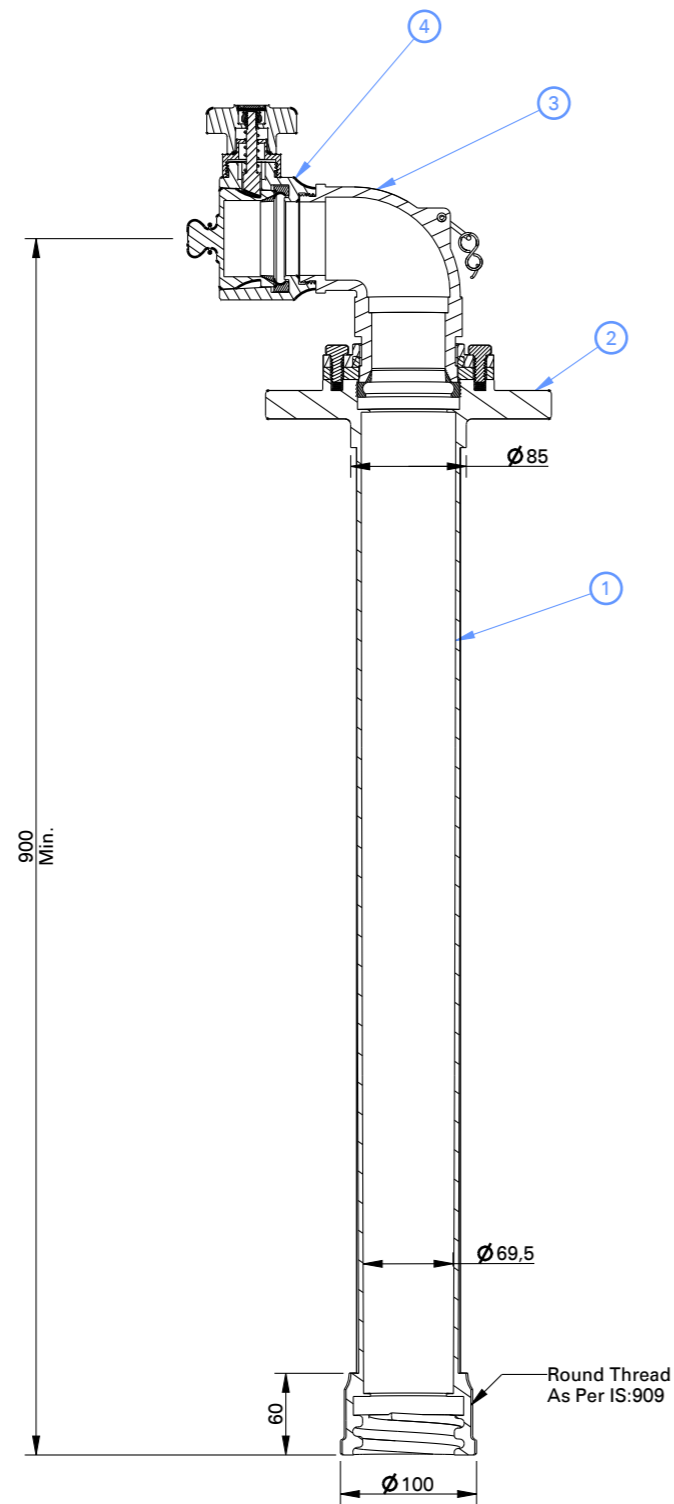
5.1	Standpipe	Outlet head (Painted – Fire Red Color as per IS: 5 Shade No. 536)
-----	-----------	---

6.0 APPROVALS & MARKING

6.1	Approvals	--
6.2	Marking on Nozzle	AAAG/ Year of Mfg / Sl. No

7.0 WARRANTY

7.1	Warranty & Guarantee	12 Months from the date of supply
-----	----------------------	-----------------------------------



1	Stand Pipe	Alu. IS:617
2	Connector	Alu. IS:617
3	Bend	Alu. IS:617
4	Female Inst.	Alu. IS:617
NO.	DESCRIPTION	MATERIAL
PART LIST		



Shah Bhogilal Jethalal & Bros.

AHMEDABAD

TITLE :

Standpipe, Single Outlet (63mm),
Aluminium, As Per IS:910

SCALE

N.T.S

DRAWING NO:

A191-63AS

SHEET

1 OF 1

REV.

0