

BLANK CAP (INSTANTENOUS MALE)

SS304, 63 mm



Male Instantaneous Blank Caps are used for covering/closing Instantaneous Female Inlet adaptors such as those on Hydrant valves, etc. The caps are of standard size and are compatible with standard female adaptors on fire service equipment and fittings.

Brief Description : AAAG Male Instantaneous Blank Cap, as per IS:5290, made of Stainless Steel (SS304), of 63mm, suitable for use with other standard Fire service fittings and equipment having Female Instantaneous adaptors.

1.0 GENERAL DATA

1.1	Make	AAAG
1.2	Model	Male Inst Blank Cap
1.3	Size	63 mm
1.4	Type	Instantenous Male
1.5	Material of Construction	Stainless Steel (SS304)
1.6	Reference	IS:5290

2.0 MATERIAL OF CONSTRUCTION

2.1	Blank Cap	SS304, IS:3444, Grade I
2.2	Chain	M.S. (Galvanized)

3.0 TESTING AND QUALITY CONTROL

3.1	Dimensional check	See drawing below
3.2	Documentation	Internal inspection report, supplier's certificates, approved laboratory test certificates

4.0 OPERATIONAL/ TECHNICAL DATA

4.1	Working Pressure Range	--
4.2	Weight (approx.)	0.7 Kgs. (approx)

5.0 FINISH

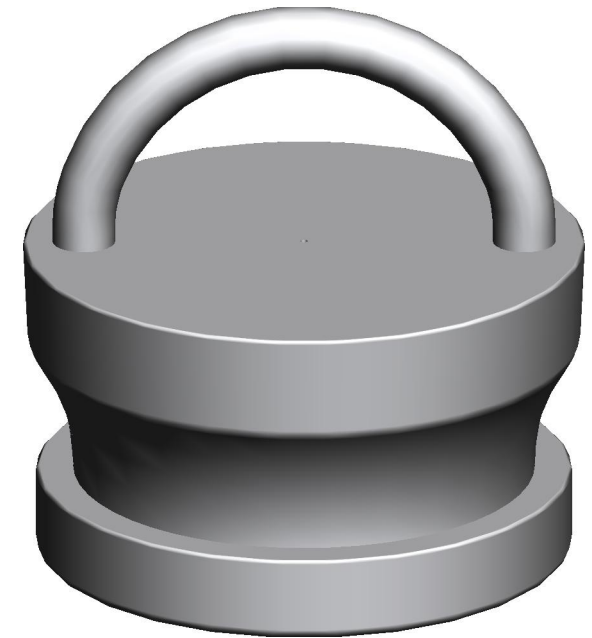
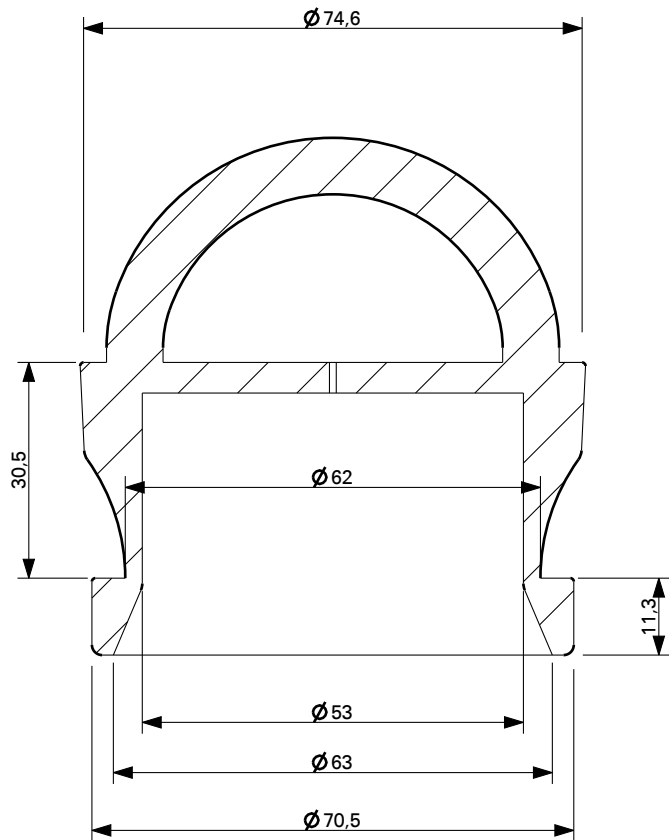
5.1	Blank Cap	Polished/ painted FIRE Red Shade IS: 536 (Top only)
-----	-----------	-----------------------------------------------------

6.0 APPROVALS & MARKING

6.1	Approvals	--
6.2	Marking	AAAG/ Year of Mfg./SI No

7.0 WARRANTY

7.1	Warranty & Guarantee	12 Months from the date of supply
-----	----------------------	-----------------------------------



Shah Bhogilal Jethalal & Bros.

AHMEDABAD

TITLE : Male Instantaneous Blank Cap, 63 mm,
SS 304, As Per IS: 5290

SCALE	DRAWING NO:	SHEET	REV.
N.T.S	S187-63BJ	1 OF 1	0