

## BLANK CAP (INSTANTENOUS MALE)

ALUMINIUM, 63 mm



Male Instantaneous Blank Caps are used for covering/closing Instantaneous Female Inlet adaptors such as those on Hydrant valves, etc. The caps are of standard size and are compatible with standard female adaptors on fire service equipment and fittings.

**Brief Description :** AAAG Male Instantaneous Blank Cap, as per IS:5290, made of Aluminium, of 63mm, suitable for use with other standard Fire service fittings and equipment having Female Instantaneous adaptors.

### 1.0 GENERAL DATA

|     |                          |                     |
|-----|--------------------------|---------------------|
| 1.1 | Make                     | AAAG                |
| 1.2 | Model                    | Male Inst Blank Cap |
| 1.3 | Size                     | 63 mm               |
| 1.4 | Type                     | Instantaneous Male  |
| 1.5 | Material of Construction | Aluminium           |
| 1.6 | Reference                | IS:5290             |

### 2.0 MATERIAL OF CONSTRUCTION

|     |           |                        |
|-----|-----------|------------------------|
| 2.1 | Blank Cap | Aluminium, 4450 IS:617 |
| 2.2 | Chain     | M.S. (Galvanized)      |

### 3.0 TESTING AND QUALITY CONTROL

|     |                   |  |
|-----|-------------------|--|
| 3.1 | Dimensional check | See drawing below  |
| 3.2 | Documentation     | Internal inspection report, supplier's certificates, approved laboratory test certificates |

### 4.0 OPERATIONAL/ TECHNICAL DATA

|     |                        |                   |
|-----|------------------------|-------------------|
| 4.1 | Working Pressure Range | --                |
| 4.2 | Weight (approx.)       | 0.3 Kgs. (approx) |

### 5.0 FINISH

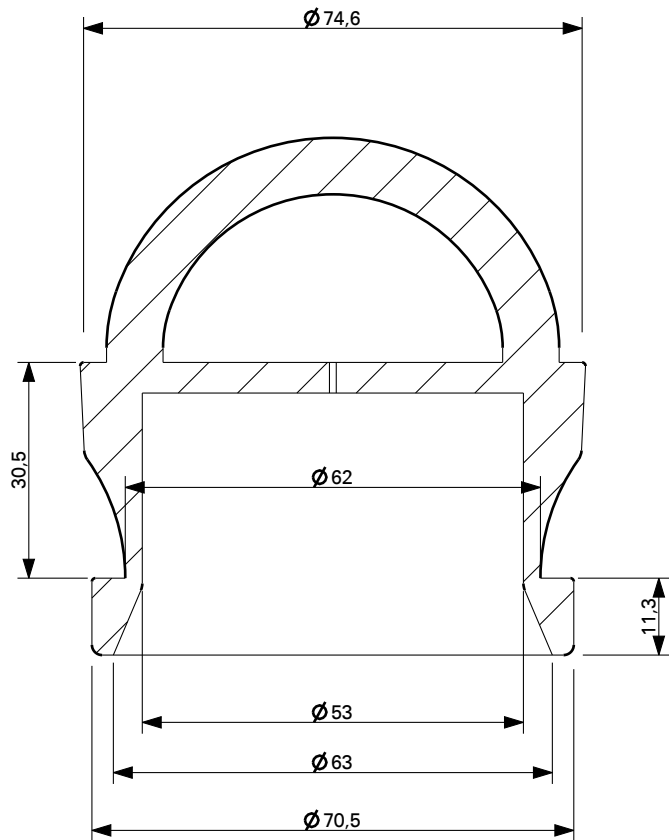
|     |           |   |
|-----|-----------|---|
| 5.1 | Blank Cap | Polished/ painted FIRE Red Shade IS: 536 (Top only) |
|-----|-----------|---|

### 6.0 APPROVALS & MARKING

|     |           |                          |
|-----|-----------|--------------------------|
| 6.1 | Approvals | --                       |
| 6.2 | Marking   | AAAG/ Year of Mfg./SI No |

### 7.0 WARRANTY

|     |                      |                                   |
|-----|----------------------|-----------------------------------|
| 7.1 | Warranty & Guarantee | 12 Months from the date of supply |
|-----|----------------------|-----------------------------------|



**Shah Bhogilal Jethalal & Bros.**

AHMEDABAD

**TITLE :** Male Instantaneous Blank Cap, 63 mm,  
Aluminium, As Per IS: 5290

| SCALE | DRAWING NO: | SHEET  | REV. |
|-------|-------------|--------|------|
| N.T.S | A187-63BJ   | 1 OF 1 | 0    |