

**BLANK CAP (INSTANTENOUS FEMALE)****SS304, 63 mm**

Female Instantaneous Blank Caps are used for covering Instantaneous Male Inlet adaptors such as those on Trailers/ Trolleys, etc. The caps are of standard size and are compatible with most fire service equipment and fittings.

**Brief Description :** AAAG Female Instantaneous Blank Cap, as per IS:903, made of Stainless Steel (SS304), of 63mm size, suitable for use with other standard Fire service fittings and equipment having Male Instantaneous adaptors.

**1.0 GENERAL DATA**

1.1	Make	AAAG
1.2	Model	Female Inst Blank Cap
1.3	Size	63 mm
1.4	Type	Instantaneous Female (Double Lug)
1.5	Material of Construction	Stainless Steel (SS304)
1.6	Reference	--

**2.0 MATERIAL OF CONSTRUCTION**

2.1	Blank Cap	SS304, IS:3444 Grade I
2.2	Knob	SS304, IS:3444 Grade I
2.3	Collar Tooth	SS304, IS:3444 Grade I
2.4	Spring	SS304

**3.0 TESTING AND QUALITY CONTROL**

3.1	Dimensional check	See drawing below
3.2	Documentation	Internal inspection report, supplier's certificates, approved laboratory test certificates

**4.0 OPERATIONAL/ TECHNICAL DATA**

4.1	Working Pressure Range	--
4.2	Weight (approx.)	2.4 Kgs. (approx)

**5.0 FINISH**

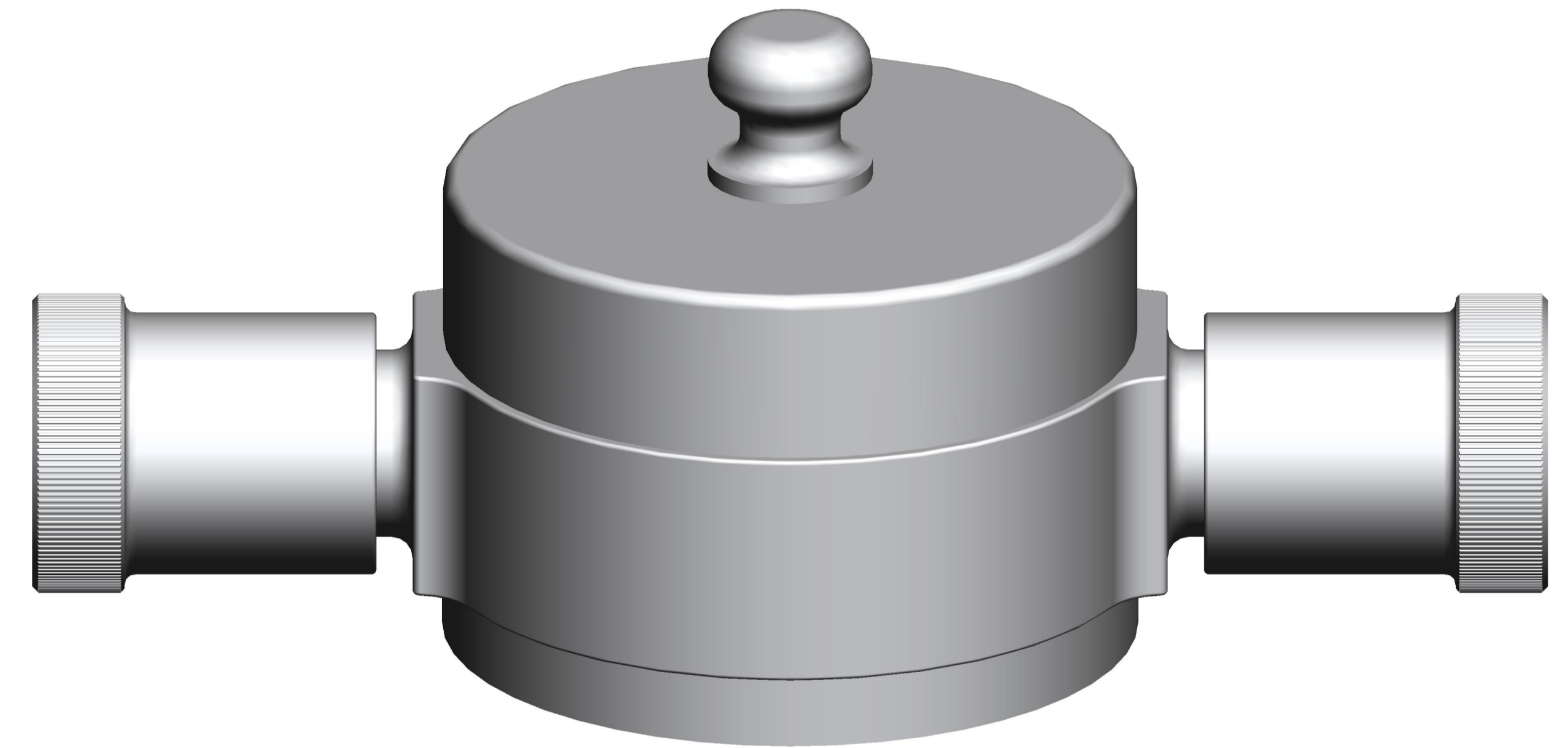
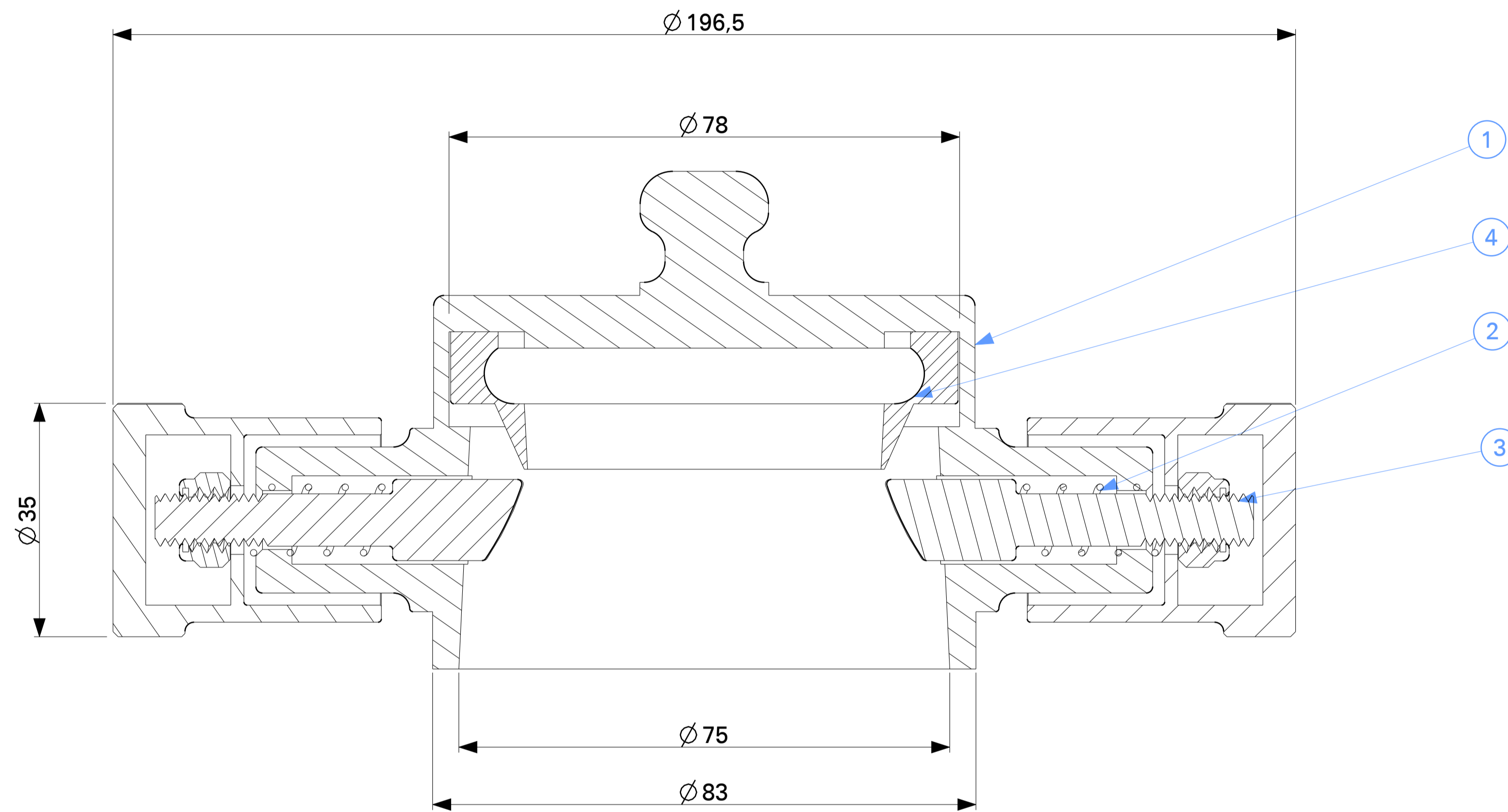
5.1	Blank Cap	Polished
-----	-----------	----------

**6.0 APPROVALS & MARKING**

6.1	Approvals	--
6.2	Marking	AAAG/ Year of Mfg./SI No

**7.0 WARRANTY**

7.1	Warranty & Guarantee	12 Months from the date of supply
-----	----------------------	-----------------------------------



1	Body	S.S 304 (IS: 3444 Gr.1)
2	Spring	IS:6528
3	Cam Tooth	S.S 304 (IS: 3444 Gr.1)
4	Washer	Rubber IS:937
NO.	DESCRIPTION	MATERIAL
PART LIST		



**Shah Bhogilal Jethalal & Bros.**

AHMEDABAD

**TITLE :** Female Instantaneous Blank Cap, Double Lug, 63mm, SS 304, Conventional Design

SCALE	DRAWING NO:	SHEET	REV.
N.T.S	S186-63BJ	1 OF 1	0