

## BLANK CAP (INSTANTENOUS FEMALE)

ALUMINIUM, 63 mm



Female Instantaneous Blank Caps are used for covering Instantaneous Male Inlet adaptors such as those on Trailers/ Trolleys, etc. The caps are of standard size and are compatible with most fire service equipment and fittings.

**Brief Description :** AAAG Female Instantaneous Blank Cap, as per IS:903, made of Aluminium, of 63mm size, suitable for use with other standard Fire service fittings and equipment having Male Instantaneous adaptors.

### 1.0 GENERAL DATA

1.1	Make	AAAG
1.2	Model	Female Inst Blank Cap
1.3	Size	63 mm
1.4	Type	Instantaneous Female (Double Lug)
1.5	Material of Construction	Aluminium
1.6	Reference	--

### 2.0 MATERIAL OF CONSTRUCTION

2.1	Blank Cap	Aluminium, 4450 IS:617
2.2	Knob	Aluminium, 4450 IS:617
2.3	Collar Tooth	Brass Forged
2.4	Spring	Phosphor Bronze Wire - IS: 7608

### 3.0 TESTING AND QUALITY CONTROL

3.1	Dimensional check	See drawing below
3.2	Documentation	Internal inspection report, supplier's certificates, approved laboratory test certificates

### 4.0 OPERATIONAL/ TECHNICAL DATA

4.1	Working Pressure Range	--
4.2	Weight (approx.)	1.0 Kgs. (approx)

### 5.0 FINISH

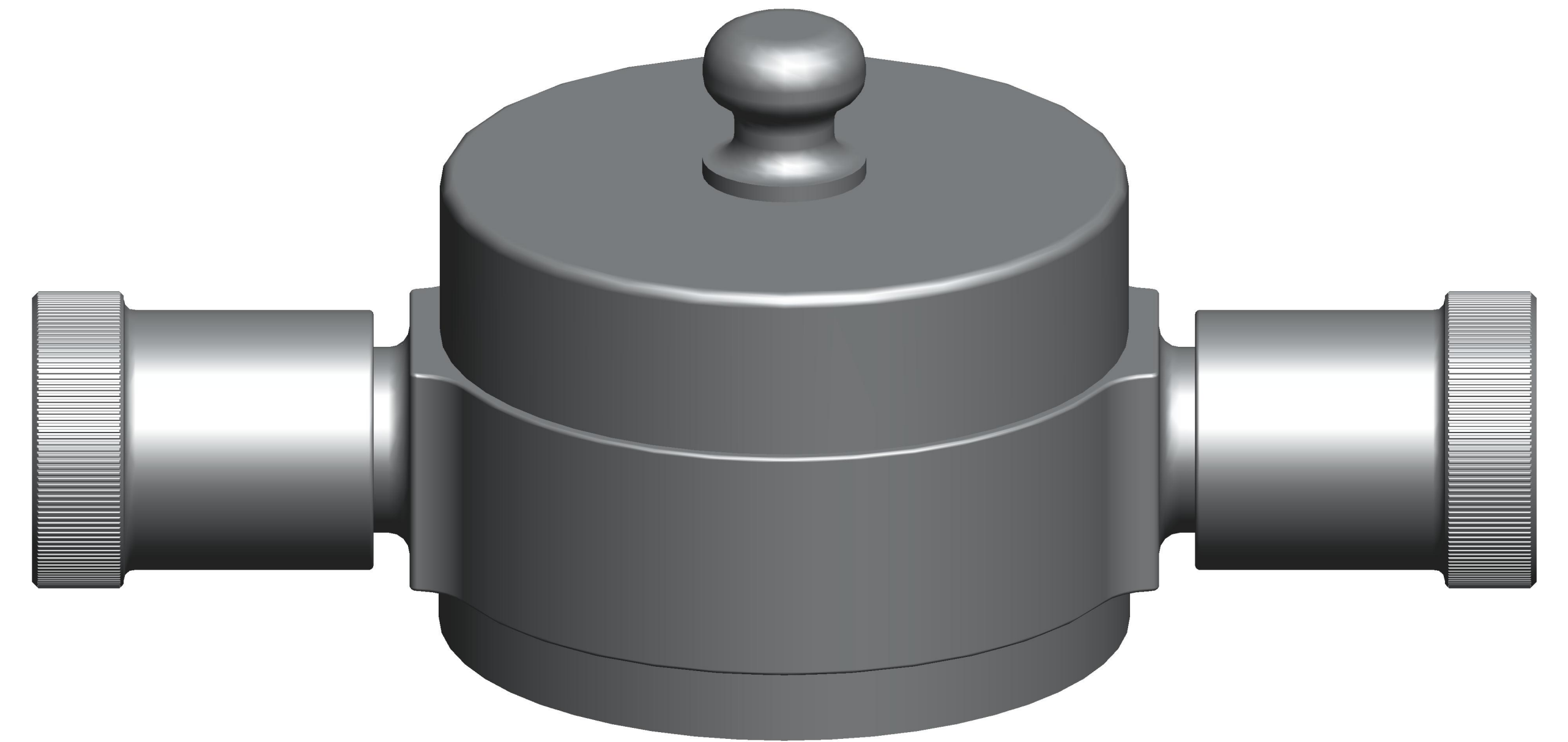
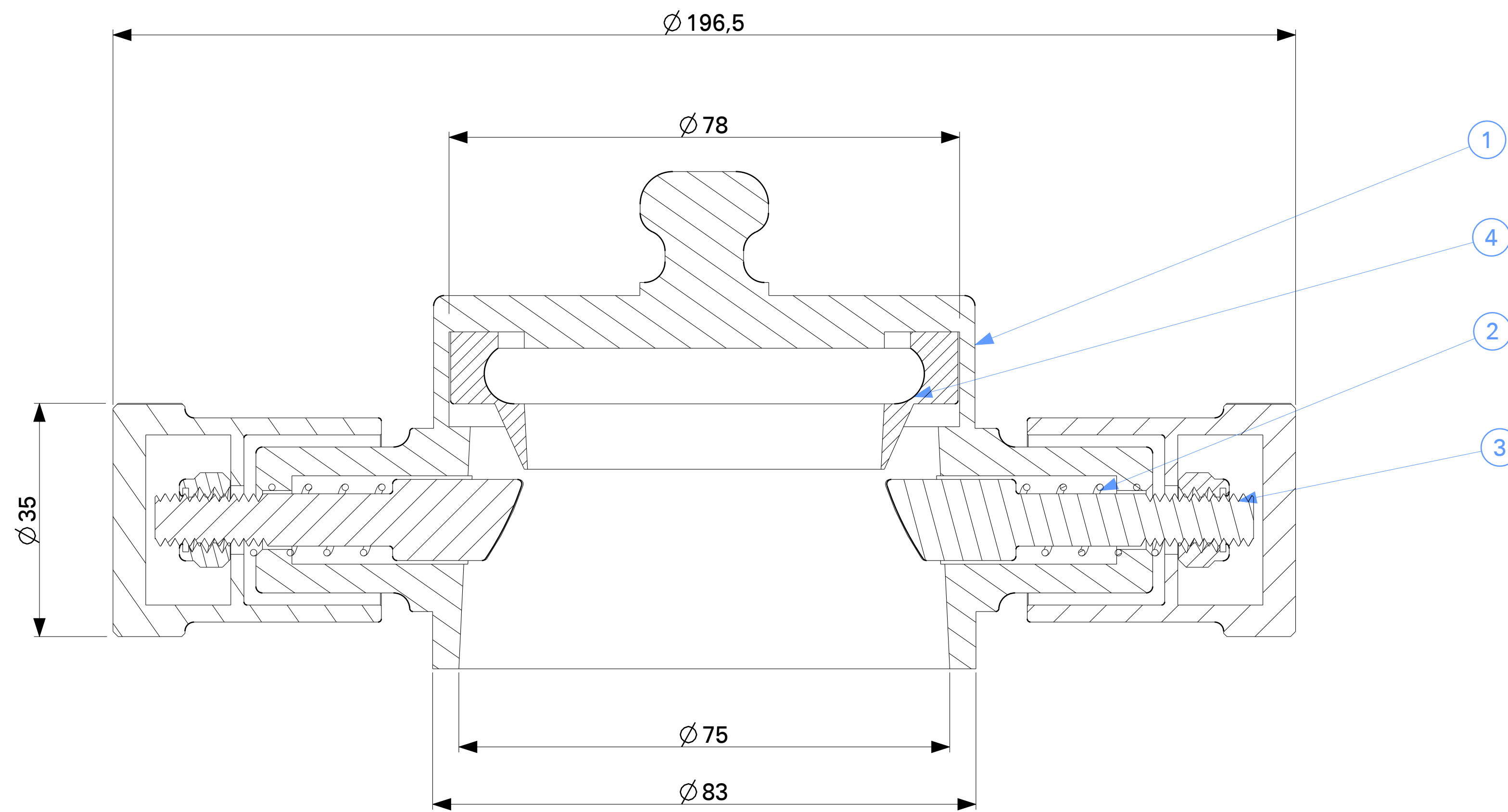
5.1	Blank Cap	Polished
-----	-----------	----------

### 6.0 APPROVALS & MARKING

6.1	Approvals	--
6.2	Marking	AAAG/ Year of Mfg./SI No

### 7.0 WARRANTY

7.1	Warranty & Guarantee	12 Months from the date of supply
-----	----------------------	-----------------------------------



1	Body	Aluminium IS: 617
2	Spring	IS:6528
3	Cam Tooth	Aluminium IS: 617
4	Washer	Rubber IS:937
NO.	DESCRIPTION	MATERIAL
PART LIST		



**Shah Bhogilal Jethalal & Bros.**

AHMEDABAD

**TITLE :** Female Instantaneous Blank Cap, Double Lug, 63mm, Aluminium, Conventional Design

SCALE	DRAWING NO:	SHEET	REV.
N.T.S	A186-63BJ	1 OF 1	0