

# BLANK CAP (INSTANTENOUS FEMALE)

## GUNMETAL, 63 mm



Female Instantaneous Blank Cap are used for covering Instantaneous Male Inlet adaptors such as those on Trailers/ Trolleys, etc. The caps are of standard size and are compatible with most fire service equipment and fittings.

**Brief Description :** AAAG Female Instantaneous Blank Cap, as per IS:903, made of Gunmetal, of 63mm size, suitable for use with other standard Fire service fittings and equipment having Male Instantaneous adaptors.

### 1.0 GENERAL DATA

|     |                          |                                  |
|-----|--------------------------|----------------------------------|
| 1.1 | Make                     | AAAG                             |
| 1.2 | Model                    | Female Inst Blank Cap            |
| 1.3 | Size                     | 63 mm                            |
| 1.4 | Type                     | Instantenous Female (Double Lug) |
| 1.5 | Material of Construction | Gunmetal                         |
| 1.6 | Reference                | --                               |

### 2.0 MATERIAL OF CONSTRUCTION

|     |              |                                 |
|-----|--------------|---------------------------------|
| 2.1 | Blank Cap    | Gunmetal, IS: 318 LTB-2         |
| 2.2 | Knob         | Gunmetal, IS: 318 LTB-2         |
| 2.3 | Collar Tooth | Brass Forged                    |
| 2.4 | Spring       | Phosphor Bronze Wire - IS: 7608 |

### 3.0 TESTING AND QUALITY CONTROL

|     |                   |  |
|-----|-------------------|--|
| 3.1 | Dimensional check | See drawing below  |
| 3.2 | Documentation     | Internal inspection report, supplier's certificates, approved laboratory test certificates |

### 4.0 OPERATIONAL/ TECHNICAL DATA

|     |                        |                   |
|-----|------------------------|-------------------|
| 4.1 | Working Pressure Range | --                |
| 4.2 | Weight (approx.)       | 2.5 Kgs. (approx) |

### 5.0 FINISH

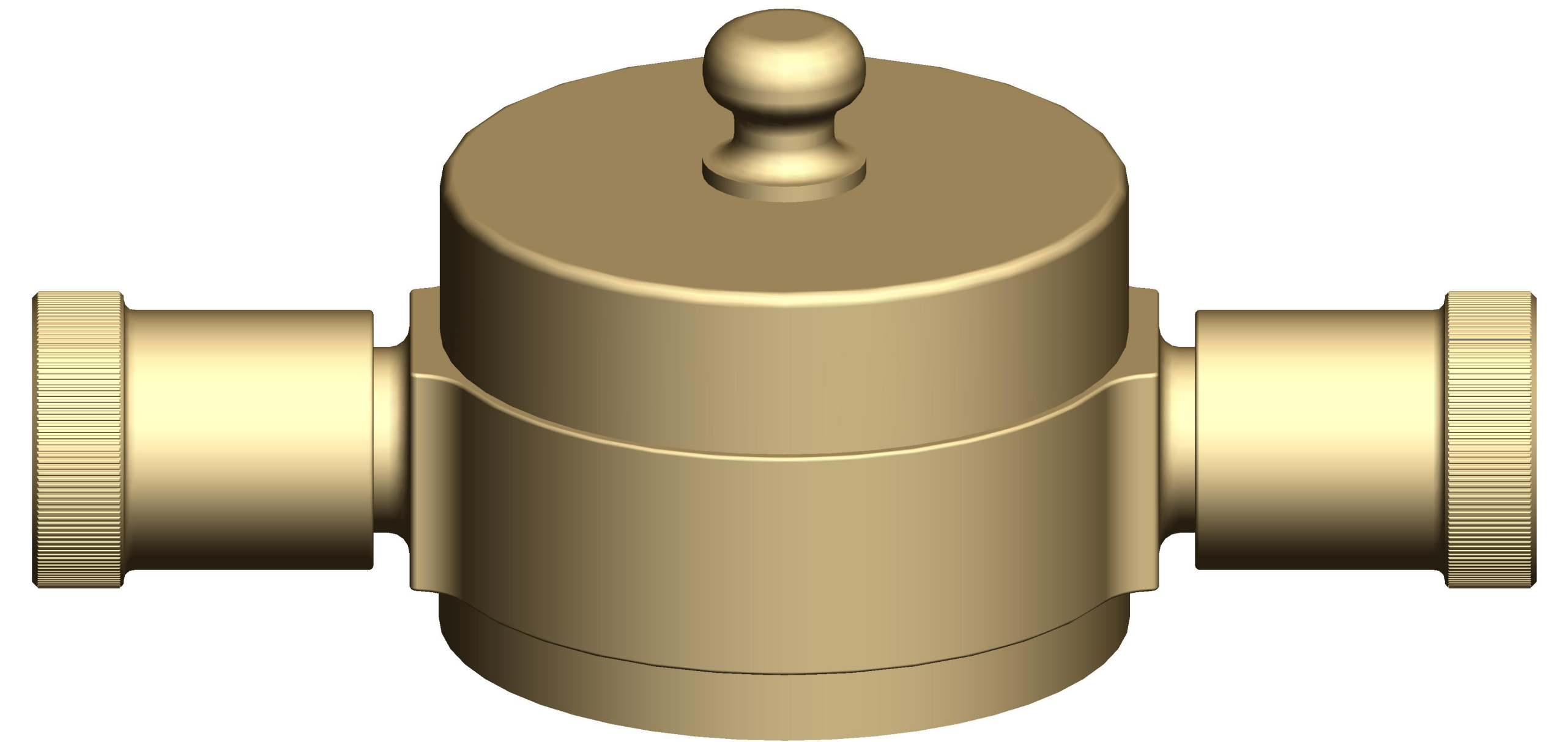
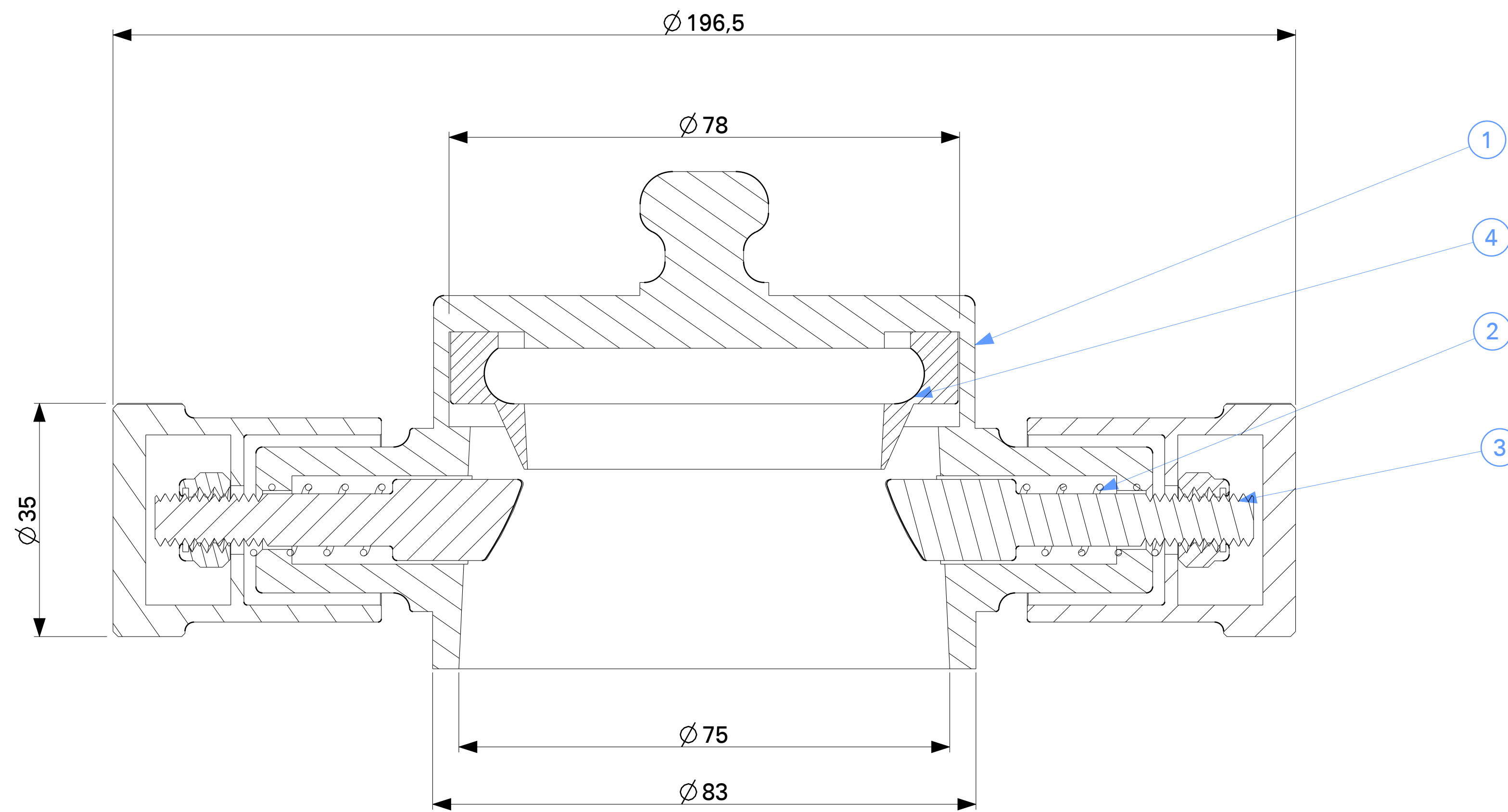
|     |           |   |
|-----|-----------|---|
| 5.1 | Blank Cap | Polished/Chromium plated (as specified) |
|-----|-----------|---|

### 6.0 APPROVALS & MARKING

|     |           |                          |
|-----|-----------|--------------------------|
| 6.1 | Approvals | --                       |
| 6.2 | Marking   | AAAG/ Year of Mfg./SI No |

### 7.0 WARRANTY

|     |                      |                                   |
|-----|----------------------|-----------------------------------|
| 7.1 | Warranty & Guarantee | 12 Months from the date of supply |
|-----|----------------------|-----------------------------------|



| 1         | Body        | G.M IS:318 LTB-2 |
|-----------|-------------|------------------|
| 2         | Spring      | IS:7608          |
| 3         | Cam Tooth   | G.M IS:318 LTB-2 |
| 4         | Washer      | Rubber IS:937    |
| NO.       | DESCRIPTION | MATERIAL         |
| PART LIST |             |                  |



**Shah Bhogilal Jethalal & Bros.**

AHMEDABAD

**TITLE :**

Female Instantaneous Blank Cap, Double Lug,  
63mm, Gunmetal, Conventional Design

**SCALE**

N.T.S

**DRAWING NO:**

G186-63BJ

**SHEET**

1 OF 1

**REV.**

0