

BLANK CAP (MRT)

ALUMINIUM, 75 mm



Male Round Thread (MRT) Blank caps are used for covering/ closing suction hose outlets, other equipment having female round threads. The caps are provided with standard Male round threads, and lugs for tightening the cap.

Brief Description : AAAG Blank Cap (Male Round Threads), made of Aluminium, having standard 75 mm (3") male round threads suitable for use with other standard Fire service fittings/ equipment (suction hose coupling, etc) having matching female round threads (threads matching to IS:902).

1.0 GENERAL DATA

1.1	Make	AAAG
1.2	Model	MRT Blank Cap
1.3	Size	75 mm
1.4	Type	Threaded (Male Round Threads - as per IS:902)
1.5	Material of Construction	Aluminium
1.6	Reference	--

2.0 MATERIAL OF CONSTRUCTION

2.1	Blank Cap	Aluminium, 4450 IS:617
2.2	Washer	--

3.0 TESTING AND QUALITY CONTROL

3.1	Dimensional check	See drawing below
3.2	Documentation	Internal inspection report, supplier's certificates, approved laboratory test certificates

4.0 OPERATIONAL/ TECHNICAL DATA

4.1	Working Pressure Range	--
4.2	Weight (approx.)	0.8 Kgs. (approx)

5.0 FINISH

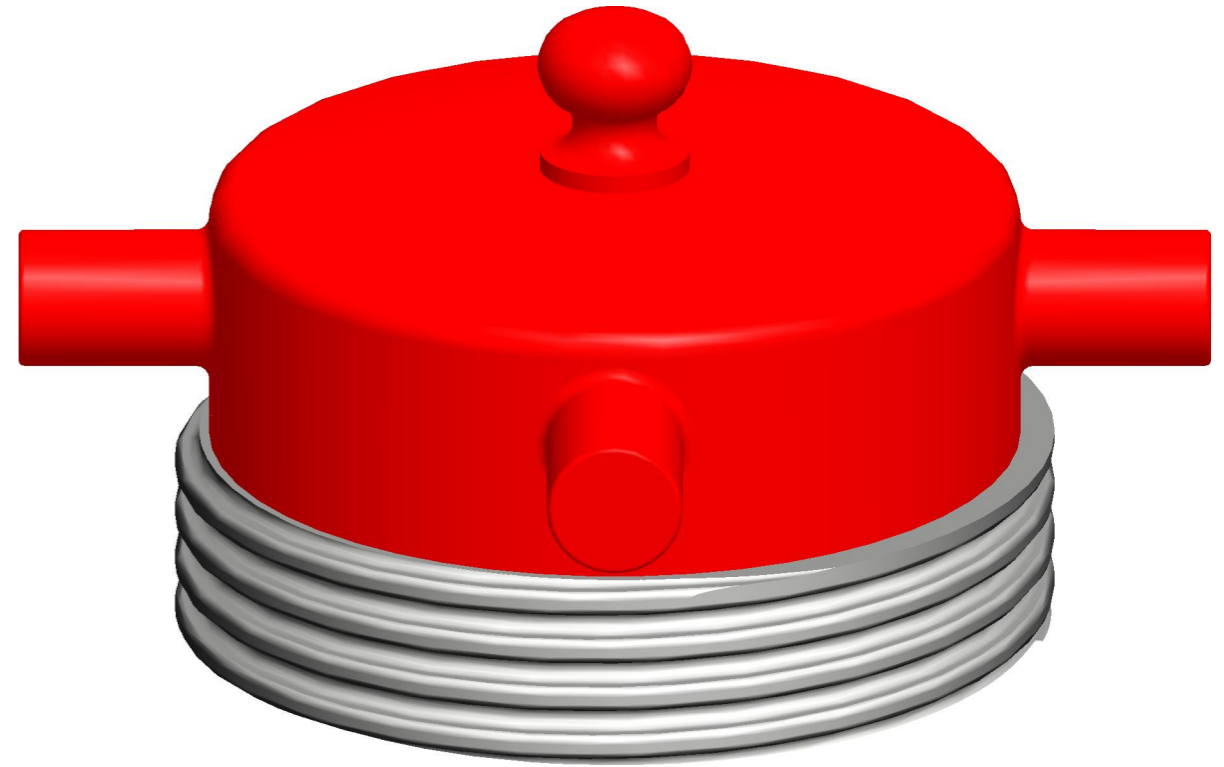
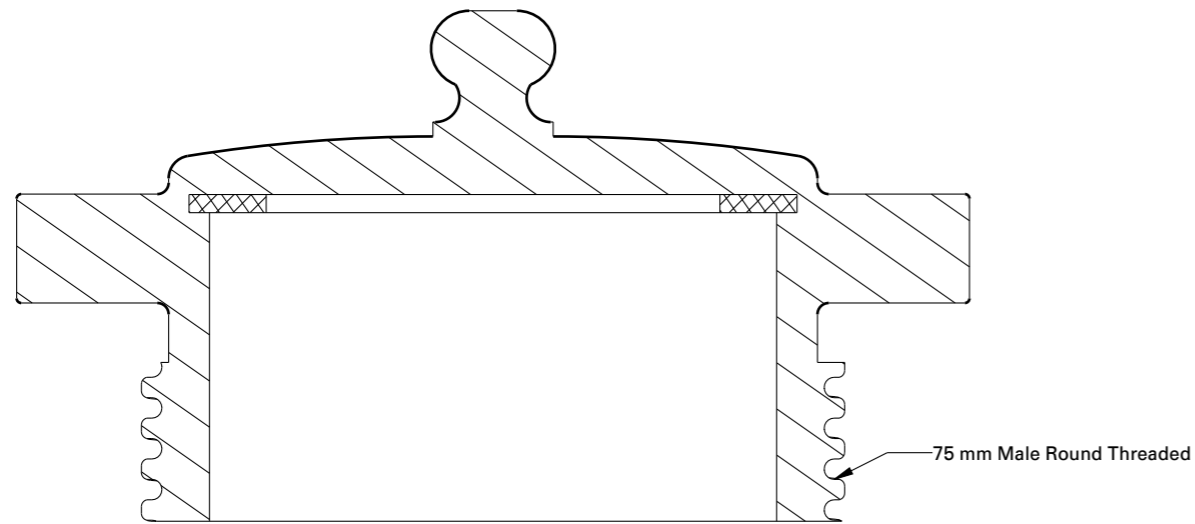
5.1	Blank Cap	Polished
-----	-----------	----------

6.0 APPROVALS & MARKING

6.1	Approvals	--
6.2	Marking	AAAG/ Year of Mfg./SI No

7.0 WARRANTY

7.1	Warranty & Guarantee	12 Months from the date of supply
-----	----------------------	-----------------------------------



Shah Bhogilal Jethalal & Bros.

AHMEDABAD

TITLE : Blank Cap, Male Thread, 75 mm,
Aluminium, Conventional Design

SCALE	DRAWING NO:	SHEET	REV.
N.T.S	A185-75BJ	1 OF 1	0