

# BLANK CAP (MRT)

## GUNMETAL, 75 mm



Male Round Thread (FRT) Blank caps are used for covering/ closing suction hose outlets, other equipment having female round threads. The caps are provided with standard Male round threads, and lugs for tightening the cap.

**Brief Description :** AAAG Blank Cap (Male Round Threads), made of Gunmetal, having standard 75 mm (3") male round threads suitable for use with other standard Fire service fittings/ equipment (suction hose coupling, etc) having matching female round threads (threads matching to IS:902)

### 1.0 GENERAL DATA

1.1	Make	AAAG
1.2	Model	MRT Blank Cap
1.3	Size	75 mm
1.4	Type	Threaded (Male Round Threads - as per IS:902)
1.5	Material of Construction	Gunmetal
1.6	Reference	--

### 2.0 MATERIAL OF CONSTRUCTION

2.1	Blank Cap	Gunmetal- IS: 318 LTB-2
2.2	Washer	--

### 3.0 TESTING AND QUALITY CONTROL

3.1	Dimensional check	See drawing below
3.2	Documentation	Internal inspection report, supplier's certificates, approved laboratory test certificates

### 4.0 OPERATIONAL/ TECHNICAL DATA

4.1	Working Pressure Range	--
4.2	Weight (approx.)	2.6 Kgs. (approx)

### 5.0 FINISH

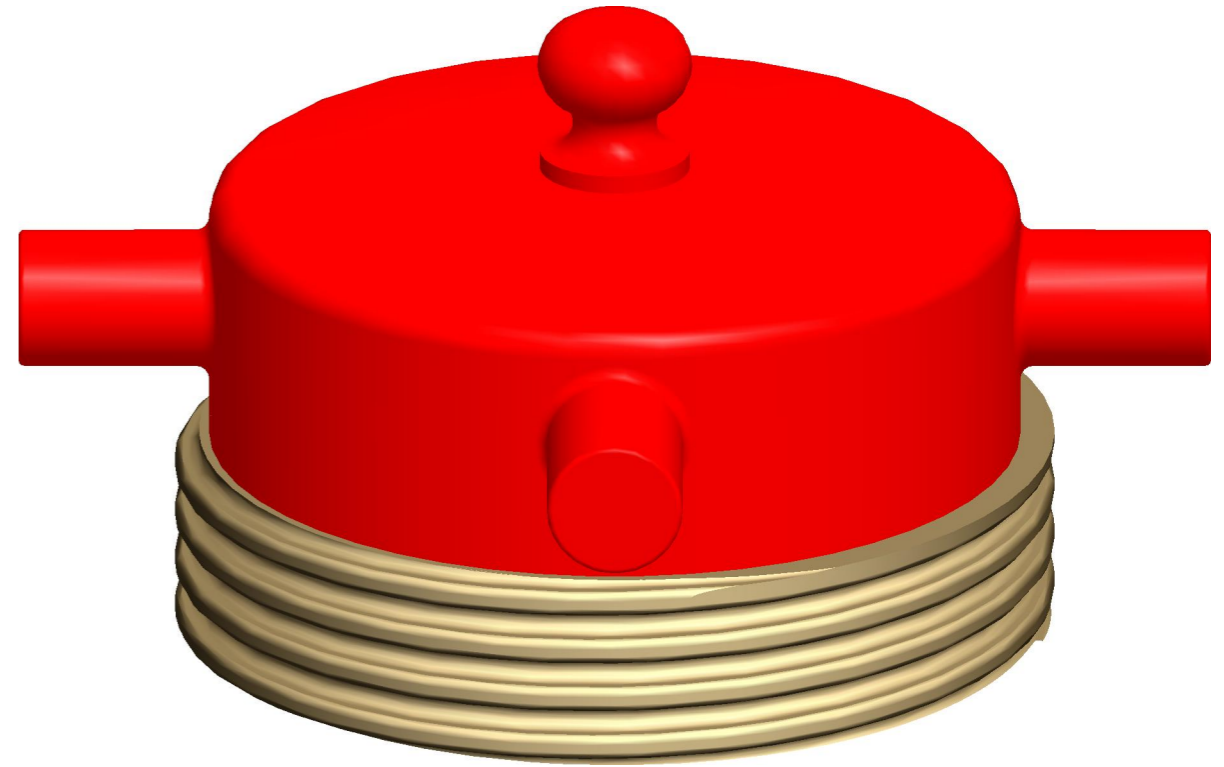
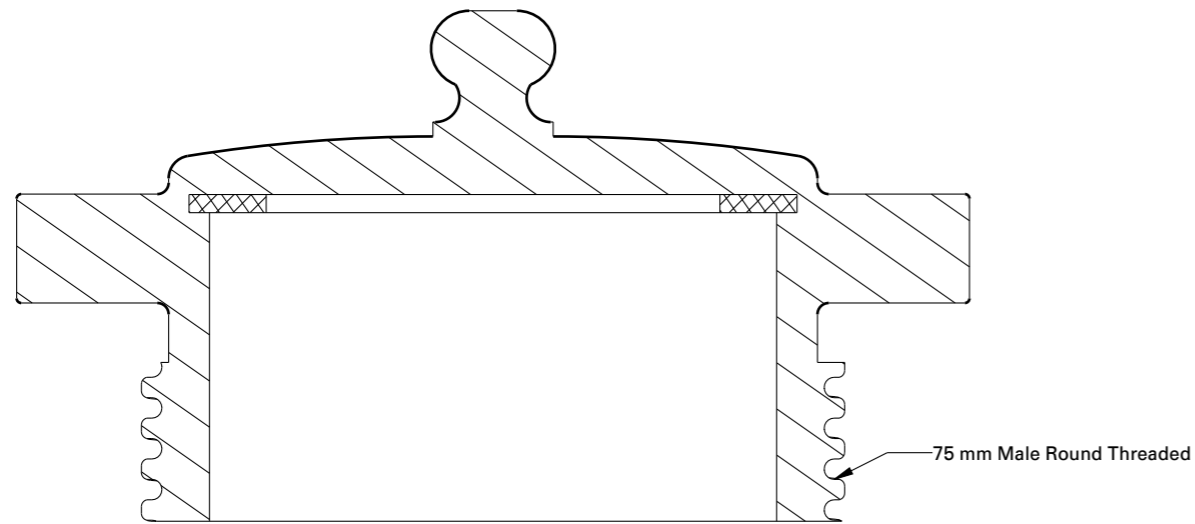
5.1	Blank Cap	Polished/Chromium plated (as specified)
-----	-----------	---


### 6.0 APPROVALS & MARKING

6.1	Approvals	--
6.2	Marking	AAAG/ Year of Mfg./SI No

### 7.0 WARRANTY

7.1	Warranty & Guarantee	12 Months from the date of supply
-----	----------------------	-----------------------------------



 SINCE 1933	<b>Shah Bhogilal Jethalal &amp; Bros.</b> AHMEDABAD		
<b>TITLE :</b> Blank Cap, Male Thread, 75 mm, Gunmetal, Conventional Design			
<b>SCALE</b>	<b>DRAWING NO:</b>	<b>SHEET</b>	<b>REV.</b>
N.T.S	G185-75BJ	1 OF 1	0