

# BLANK CAP (FRT)

**SS316, 140 mm**



Female Round Thread (FRT) Blank caps are used for covering/ closing pump suction outlets, Water/ Foam storage Tank outlets, etc. The caps are provided with standard Female round threads used in various other Fire Service equipment and fittings.

**Brief Description :** AAAG Blank Cap (Female Round Threads), made of Stainless Steel (SS316), having standard 140 mm (5.5") female round threads suitable for use with other standard Fire service fittings/ equipment (Pump outlets, Tank covers, etc) having matching male round threads (threads matching to IS:902)

## 1.0 GENERAL DATA

|     |                          |   |
|-----|--------------------------|---|
| 1.1 | Make                     | AAAG  |
| 1.2 | Model                    | FRT Blank Cap                                   |
| 1.3 | Size                     | 140 mm  |
| 1.4 | Type                     | Threaded (Female Round Threads - as per IS:902) |
| 1.5 | Material of Construction | Stainless Steel (SS316)                         |
| 1.6 | Reference                | --  |

## 2.0 MATERIAL OF CONSTRUCTION

|     |           |                         |
|-----|-----------|-------------------------|
| 2.1 | Blank Cap | SS316, IS:3444 Grade IV |
| 2.2 | Washer    | Rubber IS:937 Type A    |

## 3.0 TESTING AND QUALITY CONTROL

|     |                   |  |
|-----|-------------------|--|
| 3.1 | Dimensional check | See drawing below  |
| 3.2 | Documentation     | Internal inspection report, supplier's certificates, approved laboratory test certificates |

## 4.0 OPERATIONAL/ TECHNICAL DATA

|     |                        |                   |
|-----|------------------------|-------------------|
| 4.1 | Working Pressure Range | --                |
| 4.2 | Weight (approx.)       | 5.2 Kgs. (approx) |

## 5.0 FINISH

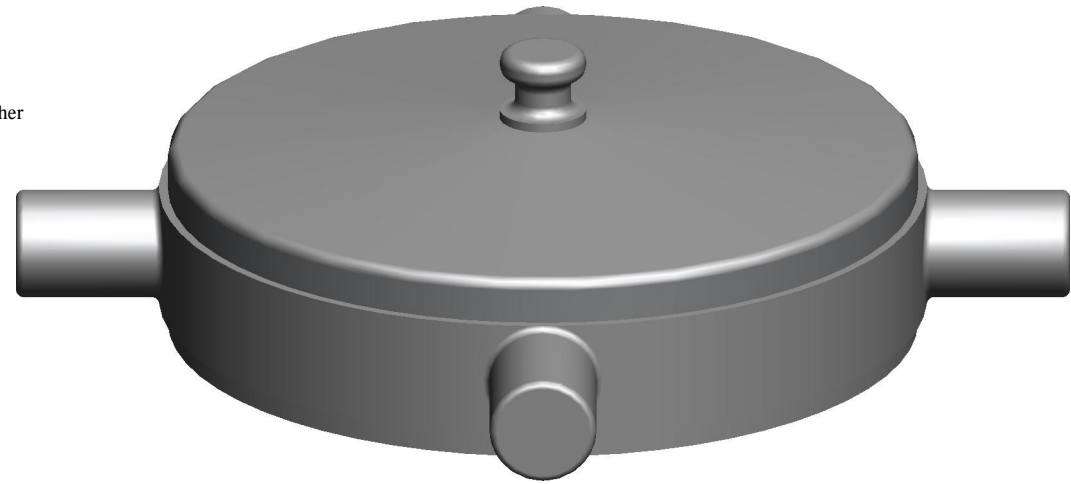
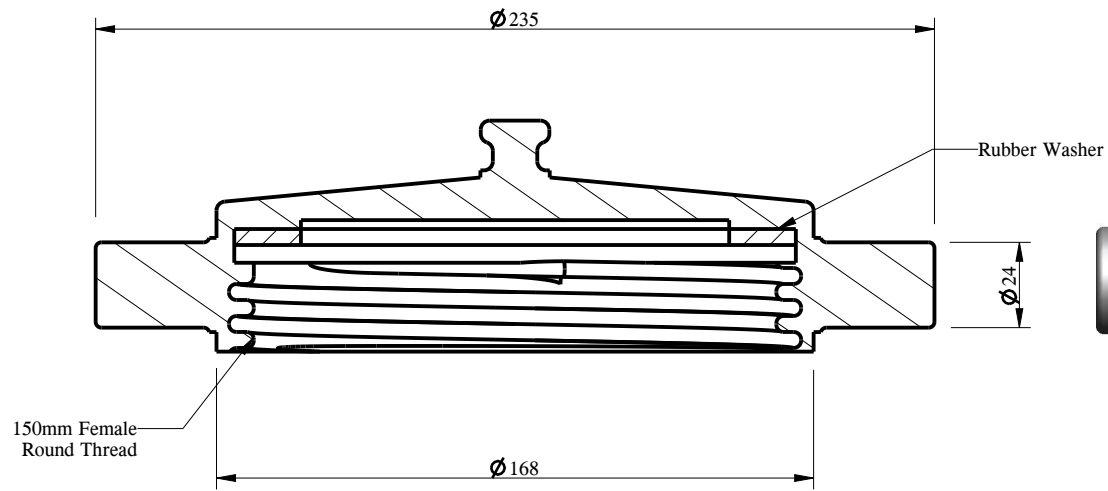
|     |           |          |
|-----|-----------|----------|
| 5.1 | Blank Cap | Polished |
|-----|-----------|----------|

## 6.0 APPROVALS & MARKING

|     |           |                          |
|-----|-----------|--------------------------|
| 6.1 | Approvals | --                       |
| 6.2 | Marking   | AAAG/ Year of Mfg./SI No |

## 7.0 WARRANTY

|     |                      |                                   |
|-----|----------------------|-----------------------------------|
| 7.1 | Warranty & Guarantee | 12 Months from the date of supply |
|-----|----------------------|-----------------------------------|



**Shah Bhogilal Jethalal & Bros.**

AHMEDABAD

TITLE : Blank Cap, Female Round Thread, 140 mm, SS 316, Conventional Design

| SCALE | DRAWING NO: | SHEET  | REV. |
|-------|-------------|--------|------|
| N.T.S | SM184-140BJ | 1 OF 1 | 0    |