

# BLANK CAP (FRT)

**SS316, 100 mm**



Female Round Thread (FRT) Blank caps are used for covering/ closing pump suction outlets, Water/ Foam storage Tank outlets, etc. The caps are provided with standard Female round threads used in various other Fire Service equipment and fittings.

**Brief Description :** AAAG Blank Cap (Female Round Threads), made of Stainless Steel (SS316), having standard 100 mm (4") female round threads suitable for use with other standard Fire service fittings/ equipment (Pump outlets, Tank covers, etc) having matching male round threads (threads matching to IS:902)

## 1.0 GENERAL DATA

1.1	Make	AAAG
1.2	Model	FRT Blank Cap
1.3	Size	100 mm
1.4	Type	Threaded (Female Round Threads - as per IS:902)
1.5	Material of Construction	Stainless Steel (SS316)
1.6	Reference	--

## 2.0 MATERIAL OF CONSTRUCTION

2.1	Blank Cap	SS316, IS:3444 Grade IV
2.2	Washer	Rubber IS:937 Type A

## 3.0 TESTING AND QUALITY CONTROL

3.1	Dimensional check	See drawing below
3.2	Documentation	Internal inspection report, supplier's certificates, approved laboratory test certificates

## 4.0 OPERATIONAL/ TECHNICAL DATA

4.1	Working Pressure Range	--
4.2	Weight (approx.)	2.5 Kgs. (approx)

## 5.0 FINISH

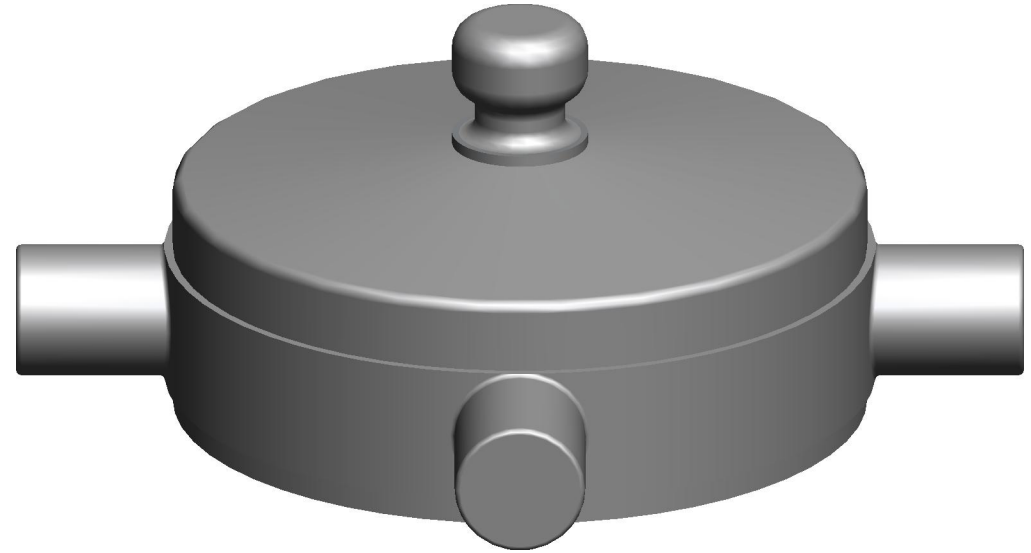
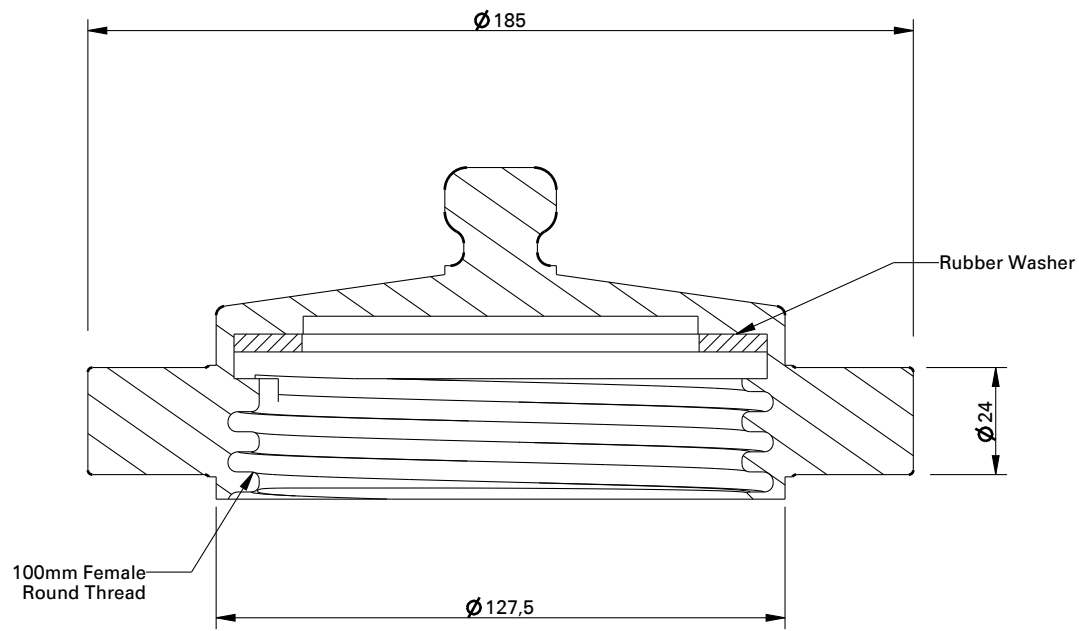
5.1	Blank Cap	Polished
-----	-----------	----------

## 6.0 APPROVALS & MARKING

6.1	Approvals	--
6.2	Marking	AAAG/ Year of Mfg./SI No

## 7.0 WARRANTY

7.1	Warranty & Guarantee	12 Months from the date of supply
-----	----------------------	-----------------------------------



**Shah Bhogilal Jethalal & Bros.**

AHMEDABAD

**TITLE :** Blank Cap, Female Round Thread, 100 mm, SS 316, Conventional Design

SCALE	DRAWING NO:	SHEET	REV.
N.T.S	SM184-100BJ	1 OF 1	0